

# COMPACT TYPE GAS ANALYZER

DATA SHEET

ZSVS

## OVERVIEW

The compact type gas analyzer with built-in pump and filter is intended for heat treat furnace, plant cultivation, and research-purpose chemical analysis. With the gas extractor, either simplified measurement probe (non-fixed type) or continuous measurement probe (fixed type) is selectable at option. Since a high-sensitivity single-beam mass flow controller is adopted for the infrared sensor, long-term stability and maintainability are excellent.

## FEATURES

1. Gas concentrations of 4 components measurable simultaneously and continuously (Note). Concentrations of max. 3 gas components among CO<sub>2</sub>, CO and CH<sub>4</sub> are continuously measurable with the infrared sensor, and that of O<sub>2</sub> is continuously measurable with galvanic cell type oxygen sensor.
2. Standard with 3-range analyzer  
Measurement can be performed over a broad range using the range selector key.
3. Compact type small and easy to use.  
The compact body with built-in pump and membrane filter is easy to carry and install.  
Operation is easier because operation keys and display unit are all gathered in the analyzing block.
4. A rich variety of standard functions incorporated.  
Max. 8-channel outputs are allowed including instantaneous concentration value, O<sub>2</sub>-corrected value, O<sub>2</sub>-corrected moving average value and CP calculation value outputs.

(Note) For continuous measurement, the standard requirements for sample gas (shown on page 3) need to be met, and zero/span calibrations and membrane filter replacement are required periodically.

## SPECIFICATIONS

### Standard Specifications

• **Measuring system:**

CO<sub>2</sub>, CO and CH<sub>4</sub>; Non-dispersive infrared absorption method with single light source and single beam (single beam method)  
O<sub>2</sub>; Galvanic cell method



- **Measurable component and min./max. measuring range:**  
CO<sub>2</sub>; 0 to 200 ppm / 0 to 100 %  
CO; 0 to 200 ppm / 0 to 100 %  
CH<sub>4</sub>; 0 to 1000 ppm / 0 to 100 %  
O<sub>2</sub>; 0 to 5 % / 0 to 25 %  
Max. 4 components measurable including O<sub>2</sub>
- **Number of measuring ranges:**  
3 ranges
  - Max. range ratio 1:5
- **Warm-up time:** 30 min after power-on  
Provided with count-down timer indicating function.
- **Analog output:** In up to 8 channels.  
4 to 20 mA DC or 0 to 1 V DC (linear)  
Non-isolated output  
Allowable load; 4 to 20 mA DC, 550Ω or less  
0 to 1 V DC, 100 kΩ or more
  - Instantaneous value output of each gas component
  - Instantaneous value output after O<sub>2</sub> correction (when provided with O<sub>2</sub> analyzer)
  - Average value output after O<sub>2</sub> correction (when provided with O<sub>2</sub> analyzer)
  - CP calculation value output (when provided with CO<sub>2</sub> analyzer)
  - \* The channel numbers of indicated value and output value correspond to each other one by one.
  - \* An exclusive 25-pin cable is standard-equipped.
- **Communication output:**  
RS-232C Modbus protocol  
\* Use a commercially available product (D-sub 9-pin cable).

This product is not explosion-proof. When handling dangerous gas, adequate attention shall be paid.

- **Indicated values:**  
Digital 4-digit indication (by LCD with back light)
  - Instantaneous values of respective gas components
  - Instantaneous values after O<sub>2</sub> correction (when provided with O<sub>2</sub> analyzer)
  - Average value after O<sub>2</sub> correction (when provided with O<sub>2</sub> analyzer)
  - CP calculation value display (when provided with CO<sub>2</sub> analyzer)
 \* The channel numbers of indicated value and output value correspond to each other one by one.
- **Power supply:** Rated voltage; 100 to 115 V AC or 200 to 240 V AC  
Working voltage; 85 to 132 V AC or 180 to 264 V AC  
\* Depending on customer's code selection.  
Rated frequency; 50/60 Hz  
Max. rated power; 150 VA  
Inlet; Class 1 type conforming with EN60320
- **Operating conditions:**  
Ambient temperature; 0 to 40°C  
Ambient humidity; 90% RH or less  
\* Condensation unallowable
- **Storage conditions:**  
Ambient temperature; -20 to 60°C  
Ambient humidity; 95% RH or less  
\* Condensation unallowable.
- **External dimensions (H × W × D mm):**  
211 × 365 × 527
- **Weight:** Approx. 12 kg
- **Finish color:** Cover; White pearl mica  
Base; Medium gray metallic
- **Enclosure design:**  
Casing made of steel plates for indoor installation.
- **Gas-contacting part materials:**  
Gas inlet/outlet; Polypropylene  
Sample cell; SUS304/neoprene rubber  
Transparent window: CaF<sub>2</sub>  
Internal pipes: Toalon tube/Teflon tube
- **Gas inlet/outlet:** φ6/φ3 hose end
- **Purge gas flow rate:**  
1 L/min (to be purged as required)

**Standard Functions**

- **Zero gas flow time:**  
Z180 to 999 sec (settable in 1-sec step)
- **Auto indication off:**  
Indication automatically turns off when no key is operated for the determined period of time in the standby status.  
Light off time; OFF/ON (1 to 30 min)  
(settable in 1-min step)
- **Output holding:** At calibration during measurement, output holds the value just before the calibration according to hold setting. In the standby status, output will not be held. Indication will not be held either.  
Hold setting; OFF/ON
- **Key lock:** None of the set values can be changed when key lock is turned ON. This is helpful for reducing operation errors and wrong inputs.

- **Instrument/calibration error indication:**  
When the instrument or calibration is abnormal, an error number is indicated to help analysis of the error.
- **O<sub>2</sub> correction:** Conversion of measured NO<sub>x</sub>, SO<sub>2</sub> and CO gas concentrations into values at standard O<sub>2</sub> concentration  
Calculating equation;
 
$$C = \frac{21 - O_n}{21 - O_s} \times C_s$$
  - C; Sample gas concentration after O<sub>2</sub> correction
  - C<sub>s</sub>; Measured concentration of sample gas
  - O<sub>s</sub>; Measured O<sub>2</sub> concentration
  - O<sub>n</sub>; Standard O<sub>2</sub> concentration for conversion (settable within 0 to 19%)
 The result of conversion is indicated and output in a signal simultaneously.  
\* An O<sub>s</sub> value of 20% or more is taken as 20% for calculation.
- **Averaging after O<sub>2</sub> correction;**  
The result of O<sub>2</sub> correction is subjected to moving average for the determined period of time. And the result of averaging is indicated and output in a signal simultaneously.  
Average value will be taken at a cycle of 30 sec. (Indication and output are updated every 30 sec.)
- **Resetting of output average value:**  
Indication and output of average value are cleared in response to resetting.  
\* Effective only when average value selection is specified in CODE SYMBOLS.
- **CP calculation:** The carbon potential of carburizing furnace and conversion furnace are calculated using furnace temperature (fixed input value) and CO concentration value (fixed or measured value) while referring to CO<sub>2</sub> measured value.

Calculation equation;  $CP = \frac{CPS \times (PCO)^2}{K1 \times PCO_2}$

where,  
 CPS ; Saturated carbon concentration (partial pressure)  
 0.0028t-1.30 (800°C ≤ 850°C)  
 0.0030t-1.47 (850°C ≤ 950°C)  
 0.0034t-1.85 (950°C ≤ 1000°C)  
 t ; Furnace temperature  
 PCO ; CO concentration value (partial pressure)  
 PCO<sub>2</sub> ; CO<sub>2</sub> concentration value (partial pressure)  
 K1 ; Constant K1=10 (9.06-15966/T)  
 T ; Rankine temperature (tx9/5+32+46°)

## Performance

- **Repeatability:** Within  $\pm 0.5\%$  of full scale
- **Linearity:** Within  $\pm 2\%$  of full scale
- **Zero drift:** Within  $\pm 1\%$  of full scale/day
- **Span drift:** Within  $\pm 1\%$  of full scale/day
- **Response time:** 90% response time: Within 50 sec Galvanic cell type O<sub>2</sub> analyzer: Within 3 min
- **Other gases' influence:**

Interference component concentration	Sample component/range	CO <sub>2</sub> analyzer		CO analyzer		O <sub>2</sub> analyzer	CH <sub>4</sub> analyzer
		200ppm max	500ppm min	200ppm max	500ppm min	All ranges	All ranges
NO	1000ppm	Within $\pm 2\%$		Within $\pm 2\%$		Within $\pm 2\%$	Within $\pm 2\%$
SO <sub>2</sub>	1000ppm	Within $\pm 2\%$		Within $\pm 2\%$		Within $\pm 2\%$	Within $\pm 2\%$
CO <sub>2</sub>	15%	—	—	Within $\pm 3\%$	Within $\pm 3\%$	Within $\pm 2\%$	Within $\pm 5\%$
CO	1000ppm	Within $\pm 2\%$		—	—	Within $\pm 2\%$	Within $\pm 2\%$
CH <sub>4</sub>	1000ppm	Within $\pm 2\%$		Within $\pm 2\%$		Within $\pm 2\%$	—
NH <sub>3</sub>	50ppm	Within $\pm 2\%$		Within $\pm 2\%$		Within $\pm 2\%$	Within $\pm 2\%$
H <sub>2</sub> O 2°C saturatio		Within $\pm 3\%$	Within $\pm 2\%$	Within $\pm 3\%$	Within $\pm 2\%$	Within $\pm 2\%$	Within $\pm 2\%$

## Standard Requirements for Sample Gas

- **Flow rate:** 0.5 L/min  $\pm$  0.2 L/min
- **Temperature:** 0 to 40°C at inlet of sampling gas  
10 to 70°C at tip of non-fixed type probe (available at option)  
70 to 400°C at tip of fixed type probe (available at option)
- **Pressure:** 0 to 2 kPa (Gas shall be discharged into atmospheric air.)
- **Dust:** 10 mg/Nm<sup>3</sup> or less
- **Mist:** Unallowable
- **Corrosive gas:** HCl 10 ppm or less  
Others Unallowable
- **Standard gas for calibration:**
  - Zero gas; N<sub>2</sub> or clean air  
However, clean air cannot be used if CO<sub>2</sub> and O<sub>2</sub> are included in sample gas components.
  - Span gas; Concentration limited within 90 to 100% of the range of each sample gas component.  
Unusable at concentrations beyond 100%.

## Options

- **Gas extractor:** Used for aspirating sample gas.  
Non-fixed type; Since this type is used for intermittent measurement, it cannot be fixed.  
Material;  
SUS304/polypropylene  
Fixed type; Used for continuous measurement. Flange 5K25A FF  
Sampling pipe length selectable among 300, 400, 600 and 800mm  
Material; SUS316
- **Sample inlet tube:**  
Used for delivering gas from the extractor to sampling block.  
Shape;  $\phi 6/\phi 4 \times 5$  m or  $\phi 6/\phi 4 \times 10$  m  
Material; Teflon

## Installation Requirements

- Selection of a place which does not receive direct sunlight, rain, wind nor radiation from hot substances.  
If such a place cannot be found, a roof or cover should be prepared for protection.
- Avoidance of a place under heavy vibration
- Selection of a place where atmospheric air is clean
- Discharge of exhaust gas into atmospheric air at a safe location
- Avoidance of use in an explosion-proof area

## Scope of Delivery

- Gas analyzer system
- Standard accessories (Refer to the table at top Following table.)
- Instruction manual

## Items to be Prepared Separately

- Standard gas (ZBM) and pressure regulator (ZBD)
- Recorder (when necessary, Fuji's product type PHR)

## Standard Accessories

Name	Quantity
Tubular fuse (2A)(for analyzing block)	2 pcs
Power cord (for domestic use, for 100/115V AC) (2m) $\times$ 2 Power cord (for North American use, for 100/115V AC) (2m) $\times$ 2 Power cord (for European use, for 200/220V AC) (2m) $\times$ 2	Either one pair * Depending on customer's code selection.
Grounding cable (5m)	1 cables
Output signal cable (1m)	1 cable
Filter paper (glass fiber) for membrane filter	5 sheets
Connection tube (5m)	1 tube
Instruction manual (in Japanese or English)	1 copy

Note) Standard accessories include consumables for 6 months.

**Spare Parts for 1-Year Measurement**

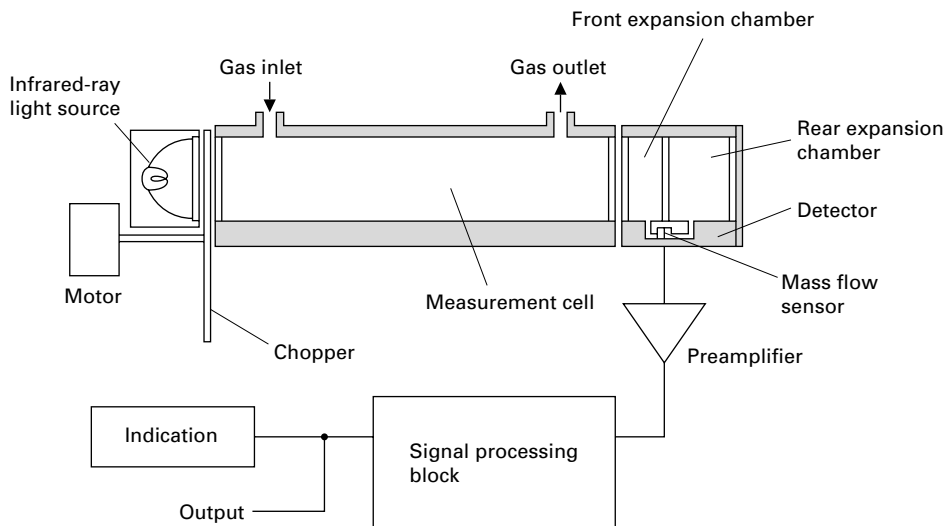
Name	Quantity	Ordering No.
Filter paper (glass fiber) for membrane filter	25 sheets	TK7M3900P2
Large O-ring for membrane filter	1 pc	TK7M3900P3
Small O-ring for membrane filter	1 pc	TK7M3900P4
Diaphragm unit for pump	1 unit	TK7M3900P8

Specify the ordering No. and the quantity when placing an order.

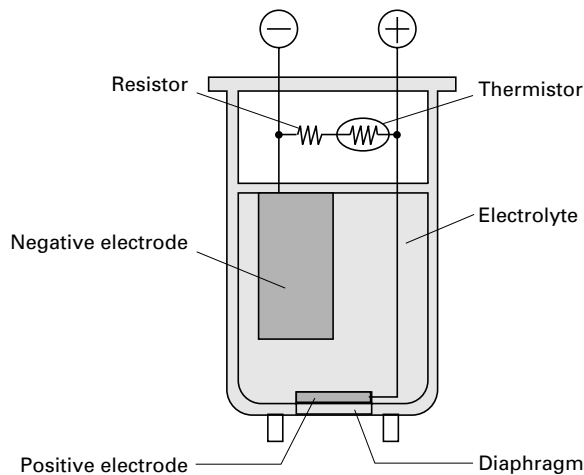
**Other**

- A galvanic cell type oxygen sensor has a service life of about 18 months from the date of its delivery. Periodic replacement is recommended.  
Replacement part ordering No. : TK7M3502C1

**Principle Diagram of Infrared Type Measurement (CO<sub>2</sub>, CO, CH<sub>4</sub>)**



**Principle Diagram of Galvanic Cell Type Measurement (O<sub>2</sub>)**



# CODE SYMBOLS

Digit	Description	note	1	2	3	4	5	6	7	8	9	10	11	12	13	14	15	16	17	18	19	20	← Digit No. of code
4	< Specification > Analyzing block		Z	S	V	S				Y	1												
5	< Sample components (CO <sub>2</sub> , CO, CH <sub>4</sub> ) > 1-component analyzer CO CO <sub>2</sub> CH <sub>4</sub> 2-component analyzer (1st component + 2nd component) CO <sub>2</sub> +CO CH <sub>4</sub> +CO CO <sub>2</sub> +CH <sub>4</sub> 3-component analyzer (1st component + 2nd component + 3rd component) CH <sub>4</sub> +(CO <sub>2</sub> +CO) With out Other	note 2					B	D	E														
6	< Sample component (O <sub>2</sub> ) and measuring range > Galvanic cell type oxygen analyzer/0 to 5%/10%/25% With out								1	Y													
8	< Revision code >									1													
9	< Power supply > For domestic use 100 to 115V AC, 50/60Hz For European use 200 to 240V AC, 50/60Hz For North American use 100 to 115V AC, 50/60Hz	note 3									1	2	3										
10	< Measuring range (1st component) > 0 to 200ppm/500ppm/1000ppm 0 to 500ppm/1000ppm/2000ppm 0 to 1000ppm/2000ppm/5000ppm 0 to 2000ppm/5000ppm/1% 0 to 5000ppm/1%/2% 0 to 1%/2%/5% 0 to 2%/5%/10% 0 to 5%/10%/20% 0 to 10%/20%/50% 0 to 20%/50%/100% With out	note 2										A	B	C	D	E	F	G	H	J	K	Y	
11	< Measuring range (2nd component) > 0 to 200ppm/500ppm/1000ppm 0 to 500ppm/1000ppm/2000ppm 0 to 1000ppm/2000ppm/5000ppm 0 to 2000ppm/5000ppm/1% 0 to 5000ppm/1%/2% 0 to 1%/2%/5% 0 to 2%/5%/10% 0 to 5%/10%/20% 0 to 10%/20%/50% 0 to 20%/50%/100% With out	note 2											A	B	C	D	E	F	G	H	J	K	Y
12	< Measuring range (3rd component) > 0 to 200ppm/500ppm/1000ppm 0 to 500ppm/1000ppm/2000ppm 0 to 1000ppm/2000ppm/5000ppm 0 to 2000ppm/5000ppm/1% 0 to 5000ppm/1%/2% 0 to 1%/2%/5% 0 to 2%/5%/10% 0 to 5%/10%/20% 0 to 10%/20%/50% 0 to 20%/50%/100% With out	note 2											A	B	C	D	E	F	G	H	J	K	Y

Digit	Description	note	1	2	3	4	5	6	7	8	9	10	11	12	13	14	15	16	17	18	19	20	← Digit No. of code			
14	< Output > 0 to 1 V DC, non-isolated 4 to 20 mA DC, non-isolated		Z	S	V					Y	1						Y									
15	< Output type > Instantaneous value after O <sub>2</sub> correction Average value after O <sub>2</sub> correction CP calculation value With out	note 5,7  note 10 note 6															0	1	2	Y						
17	< Language > Japanese English																		1	2						
18	< Gas extractor > Non-fixed type (for intermittent measurement) Fixed type (for continuous measurement), flange 5K25A, L = 300 mm Fixed type (for continuous measurement), flange 5K25A, L = 400 mm Fixed type (for continuous measurement), flange 5K25A, L = 600 mm Fixed type (for continuous measurement), flange 5K25A, L = 800 mm With out																				1	2	3	4	5	Y
19	< Sample inlet tube > 5m×φ6/φ4, Teflon 10m×φ6/φ4, Teflon 20m×φ6/φ4, Teflon With out	note 8																					A	B	C	Y
20	< Adjustment > Standard adjustment Adjustment for heat treatment furnace Other	note 9																						A	B	Z

- Note 1) A parenthesized sample component stands for the 2nd optical system.
- Note 2) Specify code Y when only O<sub>2</sub> analyzer is needed.
- Note 3) Between "1", "2" and "3" of the 9th digit, the rated voltage and plug shape of the attached power cord are different.  
 "1": For domestic use, rated voltage 125V AC (PSE), plug shape North American type  
 "2": For European use, rated voltage 250V AC (ECC), plug shape European type  
 "3": For North American use, rated voltage 125V AC (UL), plug shape North American type
- Note 4) For possible combinations of sample component and measuring range, refer to the following tables (on pages 8 and 9).
- Note 5) Specify this code when "1" or "2" is specified at the 6th digit.
- Note 6) When "Y" is specified at the 6th digit, "Y" should also be specified at the 15th digit.
- Note 7) The kind of output after O<sub>2</sub> correction will be added to all target components only when an analyzer for NO<sub>x</sub>, SO<sub>2</sub> and CO is specified.
- Note 8) Sample inlet tube should be connected within 20 m.
- Note 9) Calibration curve varies with gas components contained in sample gas.  
 "A ; standard adjustment" stands for adjustment in N<sub>2</sub> balance.  
 "B ; adjustment for heat treatment furnace" is applied to CO analyzer and CO<sub>2</sub> analyzer.  
 CO<sub>2</sub> analyzer: CO<sub>2</sub> range gas + 25% CO + 31% H<sub>2</sub>/N<sub>2</sub>  
 CO analyzer: CO range gas + 5% CO<sub>2</sub> + 31% H<sub>2</sub>/N<sub>2</sub>  
 When "Z; other" is specified, a gas composition table should be attached.
- Note 10) Can be manufactured only when " CO<sub>2</sub> analyzer" is selected for the 5th digit.

# Tables of Sample Component and Measuring Range - Availability Check Tables -

Table 1: 1-Component Analyzer (CO<sub>2</sub>, CO, CH<sub>4</sub>)

Sample component Range		CO <sub>2</sub> analyzer	CO analyzer	CH <sub>4</sub> analyzer
		D	B	E
A	0 to 200/500/1000ppm	○	○	—
B	0 to 500/1000/2000ppm	○	○	—
C	0 to 1000/2000/5000ppm	○	○	○
D	0 to 2000/5000ppm/1%	○	○	○
E	0 to 5000ppm/1/2%	○	○	○
F	0 to 1/2/5%	○	○	○
G	0 to 2/5/10%	○	○	○
H	0 to 5/10/20%	○	○	○
J	0 to 10/20/50%	○	○	○
K	0 to 20/50/100%	○	○	○

○ : Product available

Table 2: 2-Component Analyzer (CO<sub>2</sub> analyzer + CO analyzer)

CO <sub>2</sub> analyzer range		Range values are the same as those of CO <sub>2</sub> analyzer.									
		A	B	C	D	E	F	G	H	J	K
A	0 to 200/500/1000ppm	○	○	—	—	—	—	—	—	—	—
B	0 to 500/1000/2000ppm	○	○	○	—	—	—	—	—	—	—
C	0 to 1000/2000/5000ppm	—	—	○	○	—	—	—	—	—	—
D	0 to 2000/5000ppm/1%	—	○	○	○	○	—	—	—	—	—
E	0 to 5000ppm/1/2%	—	○	○	○	○	○	○	○	—	—
F	0 to 1/2/5%	○	○	○	○	○	○	○	○	○	—
G	0 to 2/5/10%	○	○	○	○	○	○	○	○	○	○
H	0 to 5/10/20%	○	○	○	○	○	○	○	○	○	○
J	0 to 10/20/50%	—	○	○	○	○	○	○	○	○	○
K	0 to 20/50/100%	—	○	○	○	○	○	○	○	○	○

○ : Product available

Table 3: 2-Component Analyzer (CH<sub>4</sub> analyzer + CO analyzer)

CO analyzer range		Range values are the same as those of CH <sub>4</sub> analyzer.									
		A	B	C	D	E	F	G	H	J	K
A	0 to 200/500/1000ppm	—	—	—	—	—	—	—	—	—	—
B	0 to 500/1000/2000ppm	—	—	—	—	—	—	—	—	—	—
C	0 to 1000/2000/5000ppm	—	—	—	—	—	—	—	—	—	—
D	0 to 2000/5000ppm/1%	—	—	—	—	—	—	—	—	—	—
E	0 to 5000ppm/1/2%	—	—	○	○	○	○	—	—	—	—
F	0 to 1/2/5%	—	—	○	○	○	○	○	○	—	—
G	0 to 2/5/10%	—	○	○	○	○	○	○	○	○	○
H	0 to 5/10/20%	—	○	○	○	○	○	○	○	○	○
J	0 to 10/20/50%	—	○	○	○	○	○	○	○	○	○
K	0 to 20/50/100%	—	○	○	○	○	○	○	○	○	○

○ : Product available

Table 4: 2-Component Analyzer (CO<sub>2</sub> analyzer + CH<sub>4</sub> analyzer)

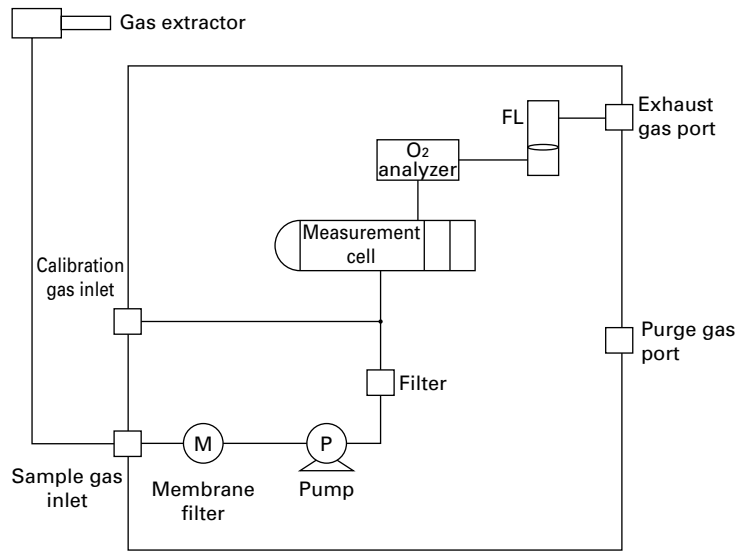
CO <sub>2</sub> analyzer range		Range values are the same as those of CH <sub>4</sub> analyzer.									
		A	B	C	D	E	F	G	H	J	K
A	0~200/500/1000ppm	—	—	—	—	—	—	—	—	—	—
B	0~500/1000/2000ppm	—	—	—	—	—	—	—	—	—	—
C	0~1000/2000/5000ppm	—	—	—	—	○	—	—	—	—	—
D	0~2000/5000ppm/1%	—	—	—	○	○	○	—	—	—	—
E	0~5000ppm/1/2%	—	—	—	○	○	○	○	—	—	—
F	0~1/2/5%	—	—	—	○	○	○	○	○	—	—
G	0~2/5/10%	—	—	—	○	○	○	○	○	○	—
H	0~5/10/20%	—	—	—	○	○	○	○	○	○	○
J	0~10/20/50%	—	—	—	○	○	○	○	○	○	○
K	0~20/50/100%	—	—	—	○	○	○	○	○	○	○

○ : Product available

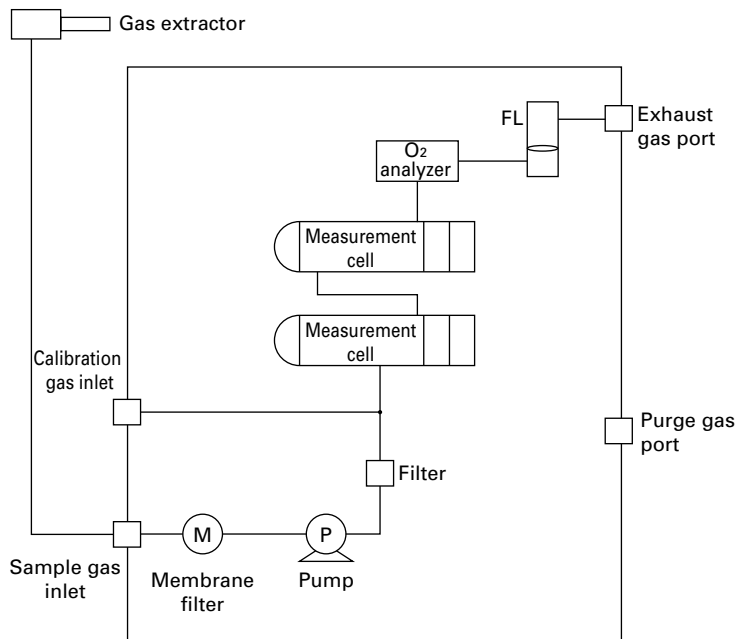
- 3-component analyzer (CH<sub>4</sub> analyzer + CO<sub>2</sub> analyzer + CO analyzer);

Possible range in combination of Table 1 (CH<sub>4</sub> analyzer) and Table 2 (CO<sub>2</sub> analyzer + CO analyzer)

One optical line (1 to 3-component gas sampling system diagram): Type ZSVS



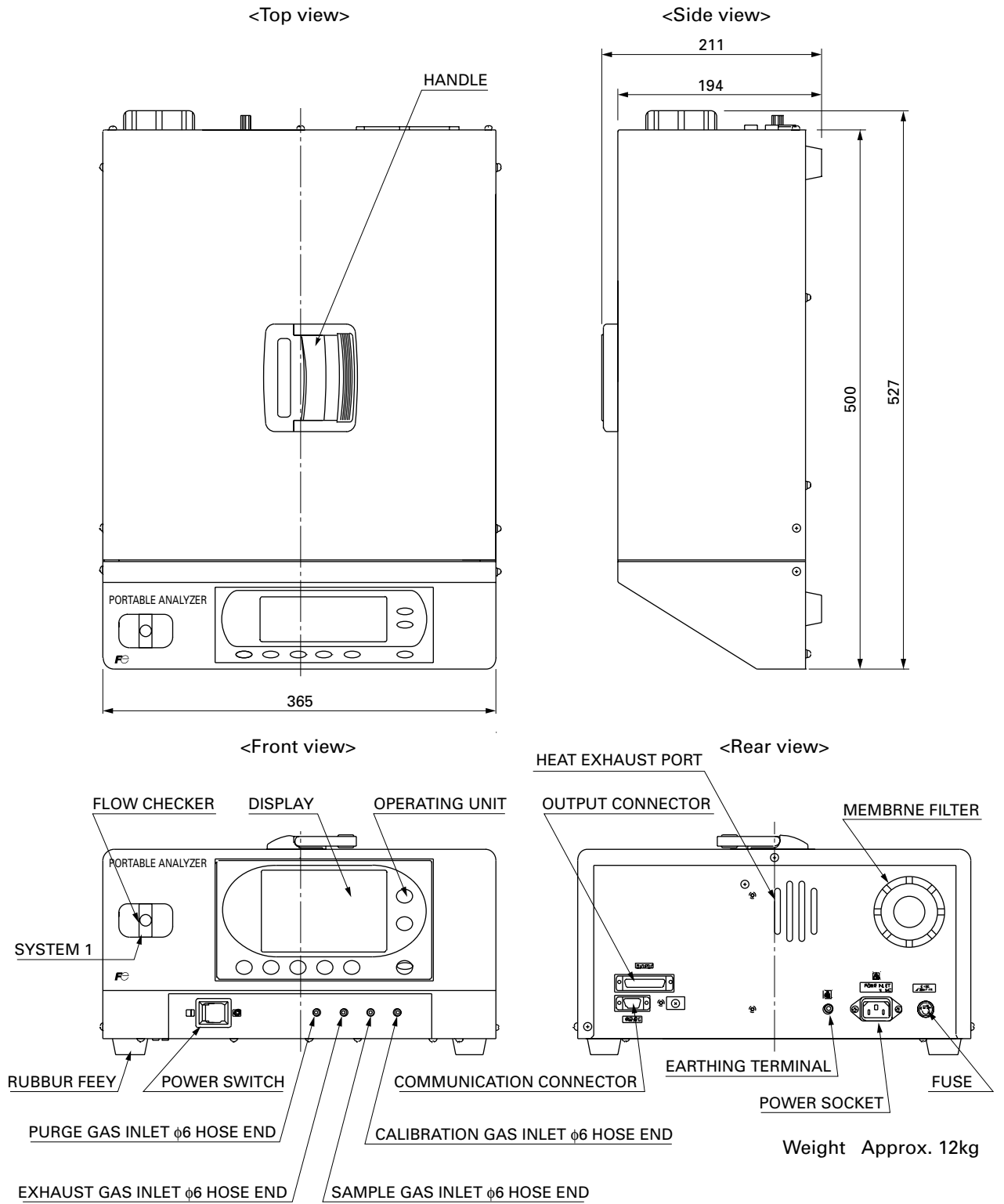
Two optical lines (3 to 4-component gas sampling system diagram): Type ZSVS





# OUTLINE DIAGRAM (Unit : mm)

## (1) Analyzing block

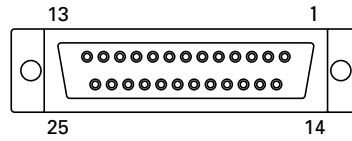


(2) External connection diagrams

Caution) Between male (P) and female (S) connectors, pin numbers are different.  
Connect them properly with utmost care.

<Analog output>

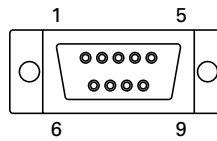
On the analyzer side, a female connector (DB-25S-T-N made by Japan Aviation Electronics Industry) is attached.  
For connection, the furnished cables (1 m)(DB-25P) should be used.



Color of furnished cable	Orange	Red	Brown	Black	White	Gray	Purple	Blue	Green	Yellow	Orange	Red	Brown
Pin name	CH7+	-CH6+	-CH5+	-CH4+	-CH3+	-CH2+	-CH1+						
Pin No.	13	12	11	10	9	8	7	6	5	4	3	2	1
Pin No.	25	24	23	22	21	20	19	18	17	16	15	14	
Pin name	NC										-CH8+	-CH7	
Color of furnished cable											Blue	Green	Yellow

<Communication output>

On the analyzer side, a male connector (DE-9P-T-N made by Japan Aviation Electronics Industry) is attached.  
For connection, commercially available cross cables (DE-9S) should be used.

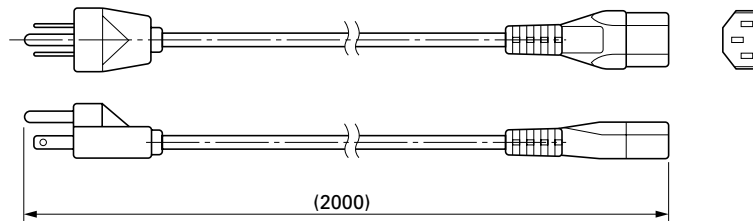


Pin name	NC	TXD	RXD	NC	GND
Pin No.	1	2	3	4	5
Pin No.	6	7	8	9	
Pin name	NC	NC	NC	NC	

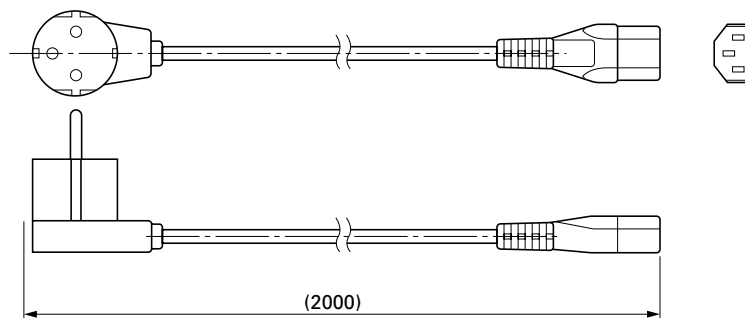
# OUTLINE DIAGRAM (Unit : mm)

## (3) Power cord and signal cable

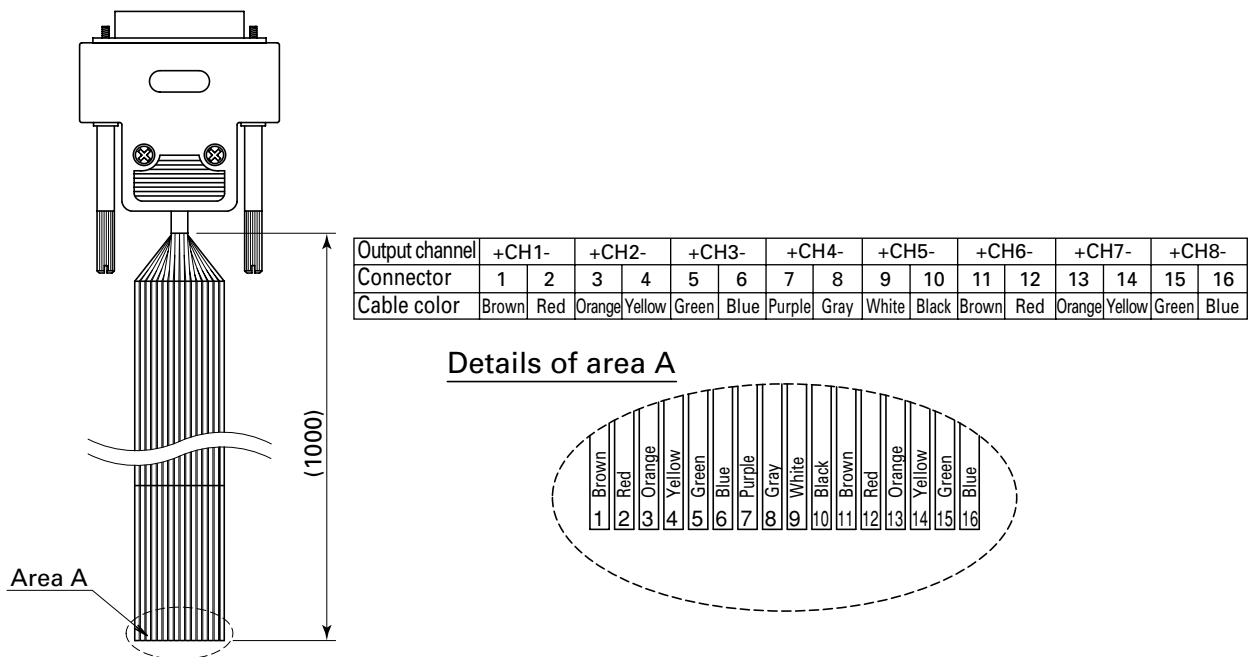
- Power cord for domestic and North American use (North American type), rated voltage 125V AC.  
Note: The standards for domestic and North American use are different, but the shape is the same.



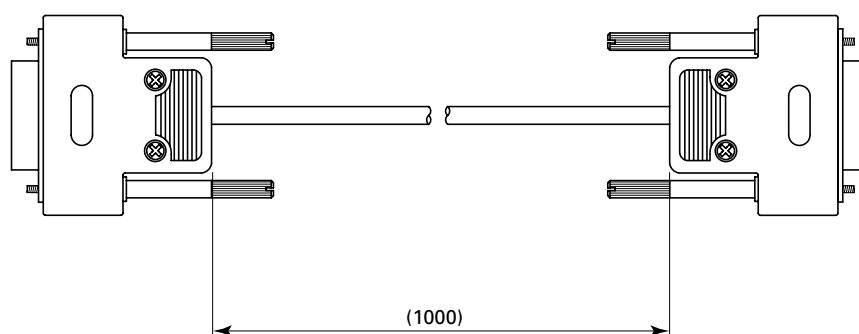
- Power cord for European use (European type), rated voltage 250 V AC



- Output cable

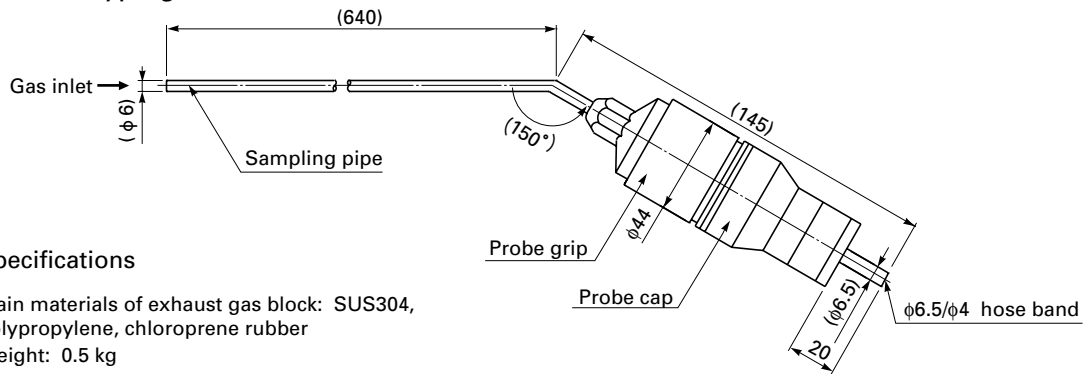


- Control input/output cable



## OUTLINE DIAGRAM (Unit : mm)

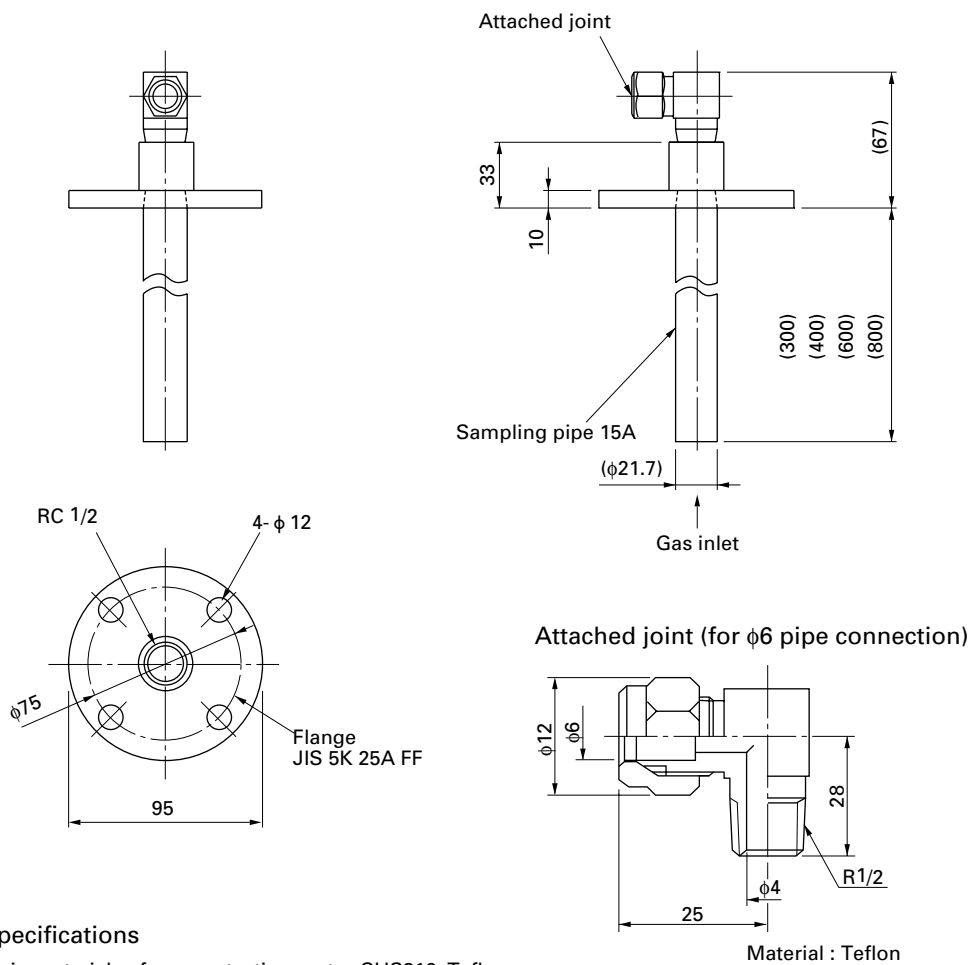
### (4) Non-fixed type gas extractor



#### Specifications

Main materials of exhaust gas block: SUS304,  
polypropylene, chloroprene rubber  
Weight: 0.5 kg

### (5) Fixed type gas extractor



#### Specifications

Main materials of gas-contacting parts: SUS316, Teflon  
Weight: 1 kg

⚠ Caution on Safety

\*Before using this product, be sure to read its instruction manual in advance.

## Fuji Electric Systems Co., Ltd.

### Head Office

Gate City Ohsaki, East Tower, 11-2, Osaki 1-chome,  
Shinagawa-ku, Tokyo 141-0032, Japan

<http://www.fesys.co.jp/eng>

### Instrumentation Div.

### International Sales Dept.

No.1, Fuji-machi, Hino-city, Tokyo, 191-8502 Japan  
Phone: 81-42-585-6201, 6202 Fax: 81-42-585-6187

<http://www.fic-net.jp/eng>