

DIFFERENTIAL PRESSURE (FLOW) TRANSMITTER

Hydroseal[®] Diaphragm Version

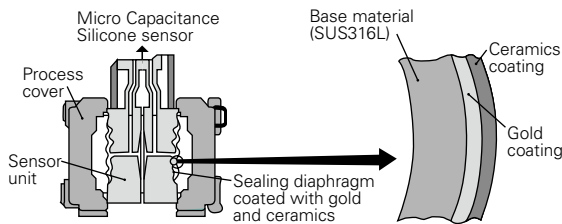
DATA SHEET

FKC...5

FEATURES

1. Unique hydroseal diaphragm

Permeation of hydrogen into the detecting unit through seal diaphragm can be suppressed thanks to the unique seal diaphragm (double coating) which employs coating of gold and ceramic.



2. High accuracy

±0.15% accuracy for all calibrated spans is the standard feature for differential pressure (flow) transmitter covering 0.32 to 130kPa (or 32mm to 13 mH₂O). Fuji's Micro-capacitance silicon sensor assures this feature.

3. Minimum environment influence

Fuji's patented "Advanced Floating Cell" design which protects the pressure sensor against changes in temperature, static pressure, and overpressure substantially reduces total measurement error in actual field applications.

4. Fuji/HART[®] bilingual communications protocol and FOUNDATION[™] fieldbus and Profibus[™] compatibility

FCX-III series transmitter offers bilingual communications to speak both Fuji proprietary protocol and HART[®]. Any HART[®] compatible devices can communicate with FCX-III. Further, by upgrading electronics FOUNDATION[™] fieldbus and Profibus[™] are also available.

5. Application flexibility

Various options that render the FCX-III series suitable for almost any process applications include.

- Full range of hazardous location approvals
- 5-digit LCD meter with engineering unit
- Stainless steel electronics housing
- Built-in RFI filter and lightning arrester

6. Programmable output Linearization Function

In addition to Linear and Square Root, output signal can be freely programmable.

(Up to 14 compensated points at approximation.)

7. Burnout current flexibility (Under Scale: 3.2 to 4.0mA, Over Scale: 20.0 to 21.6mA)

Burnout signal level is adjustable using Model FXW Hand Held Communicator (HHC) to comply with NAMUR NE43.



8. Dry calibration without reference pressure

Thanks to the best combination of unique construction of mechanical parts (Sensor unit) and high performance electronics circuit (Electronics unit), reliability of dry calibration without reference pressure is at equal level as wet calibration.

SPECIFICATIONS

Functional specifications

Service: Liquid, gas, or vapour

Static pressure, span, and range limit:

Type	Static pressure [MPa] {bar}	Span limit [kPa] {mbar}		Range limit [KPa] {m bar}
		Min.	Max.	
FKC□33	-0.1 to 16 (-1 to + 160)	3.2 (32)	32 (320)	+/- 32 (+/- 320)
FKC□35	-0.1 to 16 (-1 to + 160)	13 (130)	130 (1300)	+/- 130 (+/- 1300)

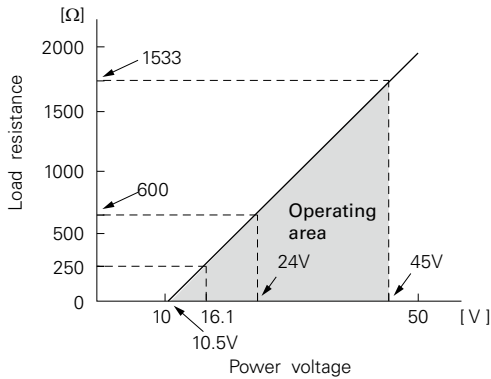
- Lower limit of static pressure (vacuum limit) ;
Silicone fill sensor: See Fig. 1
Fluorinated fill sensor: 66kPa abs (500mmHg abs) at temperature below 60°C
- The maximum span of each sensor can be converted to different units using below factors.
1MPa = 10³KPa = 10bar = 10.19716kgf/cm² = 145.0377psi
1kpa = 10mbar = 101.9716mmH₂O = 4.01463inH₂O

Overrange limit: To maximum static pressure limit

Output signal: 4 to 20mA DC (linear or square root) with digital signal superimposed on the 4 to 20mA signal

Power supply: Transmitter operates on 10.5V to 45V DC at transmitter terminals.
10.5V to 32V DC for the units with optional arrester.

Load limitations: see figure below



Note: For communication with HHC (Model: FXW), min. of 250Ω required.

Hazardous locations: (Under an application) See TABLE 2

Zero/span adjustment:

Zero and span are adjustable from the HHC⁽¹⁾. Zero and span are also adjustable externally from the adjustment screw (span adjustment is not available with 9th digit code "L, P, M, Q, S, N").

Damping:

Adjustable from HHC or local adjustment unit with LCD display.

The time constant is adjustable between 0.12 to 32 seconds.

Zero elevation/suppression:

±100% to +100% of URL

Normal/reverse action:

Selectable from HHC⁽¹⁾

Indication:

Analog indicator or 5-digit LCD meter, as specified.

Burnout direction: Selectable from HHC⁽¹⁾

If self-diagnostic detect transmitter failure, the analog signal will be driven to either "Output Hold", "Output Overscale" or "Output Underscale" modes.

"Output Hold":

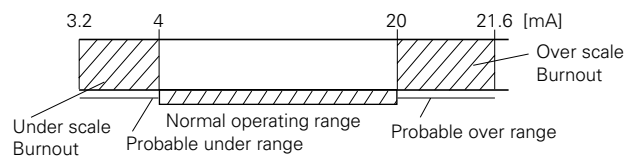
Output signal is hold as the value just before failure happens.

"Output Overscale":

Adjustable within the range 20.0mA to 21.6mA from HHC⁽¹⁾

"Output Underscale":

Adjustable within the range 3.2mA to 4.0mA from HHC⁽¹⁾



Loop-check output:

Transmitter can be configured to provide constant signal 3.2mA through 21.6mA by HHC⁽¹⁾.

Temperature limit:

Ambient: -40 to +85°C

(-20 to +80°C for LCD indicator)

(-40 to +60°C for arrester option)

(-10 to +60°C for fluorinated oil filled transmitters)

For explosionproof units (flameproof or intrinsic safety), ambient temperature must be within the limits specified in each standard.

Process: -40 to +120°C for silicone fill sensor

-20 to +80°C for fluorinated oil fill sensor

Storage: -40 to +90°C

Humidity limit: 0 to 100% RH

Communication: With HHC⁽¹⁾ (Model FXW, consult Data Sheet No. EDS8-47), following items can be remotely displayed or configured.

Note: HHC's version must be higher than 6.0 (or FXW □□□□1-□3), for FCX-AIII.

For supporting "Saturate current", "Write protect", and "History", HHC's version 6.3 or higher is necessary.

Local configurator with LCD display (option):

Local configurator with 3 push button and LCD display can support following items.

Items	By communication with FXW		By local configurator (with 3 push button)	
	Display	Set	Display	Set
Tag No.	✓	✓	✓	✓
Model No.	✓	✓	✓	✓
Serial No. & Software Version	✓	—	✓	—
Engineering unit	✓	✓	✓	✓
Range limit	✓	—	✓	—
Measuring range	✓	✓	✓	✓
Damping	✓	✓	✓	✓
Output mode	Linear	✓	✓	✓
	Square root	✓	✓	✓
Burnout direction	✓	✓	✓	✓
Calibration	✓	✓	✓	✓
Output adjust	—	✓	—	✓
Data	✓	—	✓	—
Self diagnoses	✓	—	✓	—
Printer (In case of FXW with printer option)	✓	—	✓	—
External switch lock	✓	✓	✓	✓
Transmitter display	✓	✓	✓	✓
Linearize	✓	✓	—	—
Rerange	✓	✓	✓	✓
Saturate current	✓	✓	✓	✓
Write protect	✓	✓	✓	✓
History	—	—	—	—
	—	—	—	—

Programmable output linearization function:

Output signal can be characterized with "14 points linear approximation function" from HHC⁽¹⁾.

EMC Conformity: EN61326 CE

Performance specifications for linear output

Reference conditions, silicone oil fill, 316SS isolating diaphragms, 4 to 20mA analog output in linear mode.

Accuracy rating: (including linearity, hysteresis, and repeatability)

Linear output : ±0.15%

Square root output : 50 to 100% 0.15%

20 to 50% 0.375%

10 to 20% 0.75%

Stability: ±0.15% of upper range limit (URL) for 10 years.

(Note) (1) HHC: Hand Held Communicator

Temperature effect:

Effects per 28°C change between the limits of -40°C and +85°C

Output	Zero shift	Total effect
Linear	$\pm(0.1+0.075 \frac{URL}{Span})\%$	$\pm(0.125+0.075 \frac{URL}{Span})\%$
Square root	$\pm 2.5 \times (0.125+0.075 \frac{URL}{x})\%/28^\circ\text{C}$	

Static pressure effect:

Zero shift (% of URL) : $\pm 0.15\%$ /10MPa {100bar}

Overrange effect:

Range code (6th digit in Code symbols)	Zero shift (% of URL)
"3"	1 % URL / 16MPa
"5"	0.6 % URL / 16MPa

Supply voltage effect:

Less than 0.005% of calibrated span per 1V

Update period: 60 msec *)

Step response: (without electrical damping)

Range code (6th digit in Code symbols)	Time constant*)	Dead time*)
"3"	0.12 s	0.12 s
"5"	0.08 s	

*) Faster response is available as option (maximum update rate: 25 times per second).

Mounting position effect:

Zero shift, less than 0.12kPa {1.2m bar} for a 10° tilt in any plane.

No effect on span.

This error can be corrected by adjusting Zero.

Dielectric strength:

500V AC, 50/60Hz 1 min., between circuit and earth.

Insulation resistance:

More than 100MΩ at 500V DC.

Internal resistance for external field indicator:

12Ω or less

Low flow cut-off: In the case of square root output mode, customer configurable for any point between 0 to 20% of output.

Physical specifications**Electrical connections:**

G1/2, 1/2-14 NPT, Pg13.5, or M20 × 1.5 conduit, as specified. (1 conduit)

Process connections:

1/4-18 NPT or Rc1/4 on 54mm centers, as specified.

Meets DIN 19213.

Process-wetted parts material:

Material code (7th digit in Code symbols)	Process cover	Diaphragm	Wetted sensor body	Vent/drain
C	316 stainless steel(*)	316L stainless steel(**)	316 stainless steel	316/316L stainless steel

Notes: (*) SCS14A per JIS G 5121 (equivalent CF8M per ASTM A351/A351M)

(**) The diaphragm face is coated with gold and ceramic.

Remark: Sensor O-rings: Viton O-ring and teflon gasket selectable.

Non-wetted parts material:

Electronics housing: Low copper die-cast aluminum alloy finished with polyester coating (standard), or 316 stainless steel (SCS14A per JIS G5121), as specified.

Bolts and nuts: Cr-Mo alloy (standard), 304 stainless steel, or 630 stainless steel. Static pressure rating for code "3" with 304 stainless steel bolts is degraded to 10MPa.

Fill fluid: Silicone oil (standard) or fluorinated oil

Mounting bracket: 304 stainless steel, as specified

Environmental protection:

IEC IP67 and NEMA 6/6P

Mounting:

On 60.5mm(JIS 50A) pipe using mounting bracket, direct wall mounting, or direct process mounting.

Mass{weight}:

Transmitter approximately 3.6kg without options.

Add; 0.5kg for mounting bracket

4.5kg for stainless steel housing option

Optional features**Indicator:**

A plug-in analog indicator (2.5% accuracy).

An optional 5-digit LCD meter with engineering unit is also available.

Local configurator with LCD display:

An optional 5 digits LCD meter with 3 push buttons can support items as using communication with FXW.

Arrester:

A built-in arrester protects the electronics from lightning surges.

Lightning surge immunity : 4kV (1.2 x 50μs)

Oxygen service:

Special cleaning procedures are followed throughout the process to maintain all process wetted parts oil-free.

The fill fluid is fluorinated oil.

Chlorine service:

The fill fluid is fluorinated oil.

Degreasing:

Process-wetted parts are cleaned, but the fill fluid is standard silicone oil. Not for use on oxygen or chlorine measurement.

NACE specification:

Metallic materials for all pressure boundary parts comply with NACE MR-01-75. ASTM B7M or L7M bolts and 2HM nuts (Class II) are available.

Static pressure rating for code "3" (16 MPa) is degraded to 10MPa.

Vacuum service:

Special silicone oil and filling procedure are applied.

See Fig. 1.

Optional tag plate:

An extra stainless steel tag with customer tag data is wired to the transmitter.

Coating of cell:

Cell's surface is finished with epoxy/polyurethane double coating. Specify if environment is extremely corrosive.

CODE SYMBOLS

Digit	Description				Note	1	2	3	4	5	6	7	8	9	10	11	12	13	14	15	21
						F	K	C													
4	<Connection>																				
	Process connection	Oval flange screw	Conduit connection	Case type																	
	Rc1/4	7/16-20UNF	G1/2	T type						5											
	1/4-18NPT	7/16-20UNF	1/2-14NPT	T type						6											
	1/4-18NPT	M10 (or M12)	Pg 13.5	T type						7											
	1/4-18NPT	M10 (or M12)	M20×1.5	T type						8											
	1/4-18NPT	7/16-20UNF	Pg 13.5	T type						9											
	Rc1/4	7/16-20UNF	G1/2	L type						S											
	1/4-18NPT	7/16-20UNF	1/2-14NPT	L type						T											
	1/4-18NPT	M10 (or M12)	Pg 13.5	L type						V											
	1/4-18NPT	M10 (or M12)	M20×1.5	L type						W											
	1/4-18NPT	7/16-20UNF	Pg 13.5	L type						X											
5, 6, 7																					
	Static pressure [MPa] {bar}	Span limit [kPa] (mbar)	Process cover	Diaphragm	Wated cell body																
	-0.1 to 16 (-1 to +160)	3.2...32 (32...320)	316 stainless steel	316L stainless steel (*1)	316 stainless steel	Note 1															33C
		13...130 (130...1300)				Note 1															35C
9	<Indicator and arrester>																				
	Indicator			Arrester																	
	None			None																	A
	Analog, 0 to 100% linear scale			None																	B
	Analog, 0 to 100% sq. root scale			None (*2)	Note 2																C
	Analog, custom scale			None																	D
	Analog, double scale (Linear and sq. root)			None																	J
	None			Yes																	E
	Analog, 0 to 100% linear scale			Yes																	F
	Analog, 0 to 100% sq. root scale			Yes (*2)	Note 2																G
	Analog, custom scale			Yes																	H
	Analog, double scale (Linear and sq. root)			Yes																	K
	Digital, 0 to 100%			None																	L
	Digital, custom scale			None																	P
	Digital 0 to 100% square root			None																	M
	Digital, 0 to 100%			Yes																	Q
	Digital, custom scale			Yes																	S
	Digital 0 to 100% square root			Yes																	N
	Digital, 0 to 100%			None																	1
	(Field configurator unit with LCD display)		None																		
	Digital, custom scale		None																		2
	(Field configurator unit with LCD display)		None																		
	Digital, 0 to 100% square root		None																		3
	(Field configurator unit with LCD display)		None																		
	Digital, 0 to 100%		Yes																		4
	(Field configurator unit with LCD display)		Yes																		
	Digital, custom scale		Yes																		5
	(Field configurator unit with LCD display)		Yes																		
	Digital, 0 to 100% square root		Yes																		6
	(Field configurator unit with LCD display)		Yes																		
10	<Approvals for hazardous locations>																				
	None (for ordinary locations)																				A
	TIIS, Flameproof (Conduit seal)		(Available for 4th digit code "5", "S")																		B
	TIIS, Flameproof (Cable gland seal)		(Available for 4th digit code "5", "S")																		C
	TIIS, Intrinsic safety																				G
	FM, Flameproof (or explosionproof)		(Available for 4th digit code "6", "T")																		D
	FM, Intrinsic safety and nonincentive																				H
	FM Combined of flameproof and intrinsic safety																				V
	ATEX Flameproof																				X
	ATEX Intrinsic safety																				K
	ATEX Type n																				P
	ATEX Combined of flameproof and intrinsic safety																				M
	IECEx Scheme/SA, Flameproof																				R
	IECEx Scheme/SA, Intrinsic safety																				T
	CSA, Flameproof (or explosionproof)		(Available for 4th digit code "6", "T")																		E
	CSA, Intrinsic safety and nonincentive																				J
	NEPSI, Flameproof (or explosionproof)		(Available for 4th digit code "6", "T")																		F
	NEPSI, Intrinsic safety (Entity)																				S
	NEPSI, Combined of flameproof and intrinsic safety																				U
11	<Vent/ drain and mounting bracket>																				
	Vent/drain	Mounting bracket		Process connection																	
	Standard	None		Standard																	A
	Standard	Yes, SUS304		Standard																	C
	Standard	Yes, SUS316		Standard																	K
	Side	None		Standard																	D
	Side	Yes, SUS304		Standard																	F
	Side	Yes, SUS316		Standard																	L

Note 1: (*1) The diaphragm face is coated with gold and ceramic.

Note 2: (*2) In case of square root output mode, square root scale is not available.

Digit	Description			Note	1	2	3	4	5	6	7	8	9	10	11	12	13	14	15	21	
					F	K	C					5									
12	<Options>																				
	Extra SS tag plate	Stainless steel elec, housing	Coating of cell	Note 3																	
	None	None	None																		
	Yes	None	None																		
	None	Yes	None																		
	Yes	Yes	None																		
	None	None	Yes																		
	Yes	None	Yes																		
	None	Yes	Yes																		
	Yes	Yes	Yes																		
13	<Special applications and fill fluid>																				
	Treatment	Fill fluid																			
	Standard	Silicone oil																			
	Standard	Fluorinated oil																			
	Degreasing	Silicone oil																			
	Oxygen service	Fluorinated oil																			
	NACE specification	Silicone oil (Not available for 15th digit code "A", "B")																			
14	<Sensor O-ring / Gasket>																				
	Teflon (gasket)																		B		
15	<Bolt/nut> (*5)		Vent Drain plug type	Note 5																	
	Cr-Mo alloy hexagon socket head cap screw/carbon steel nut		Standard																		
	Cr-Mo alloy hexagon bolt/nut		Standard																		
	NACE bolt/nut (ASTM A193 B7M/A194 2HM)		Standard	Note 4																	
	NACE bolt/nut (ASTM A320 L7M/A194 2HM)		Standard																		
	304 stainless steel bolt/304 stainless steel nut		Standard																		
	316 stainless steel bolt/316 stainless steel nut (*4)		Standard	Note 4																	
21	<Other options> (*6)		Standard	Note 6																	
	Instruction manual unattached																			L	

Note 3: (*3) Customer tag number can be engraved on standard stainless steel name plate. If extra tag plate is required, select "Yes".

Note 4: (*4) Static pressure should be -0.1 to +10MPa {-1 to +100bar}.

Note 5: (*5) In case of tropical use, select stainless bolts and nuts.

Note 6: (*6) If other option is not necessary, 21st digit code is blank.

In case of 21st digit code is blank, instruction manual attached.

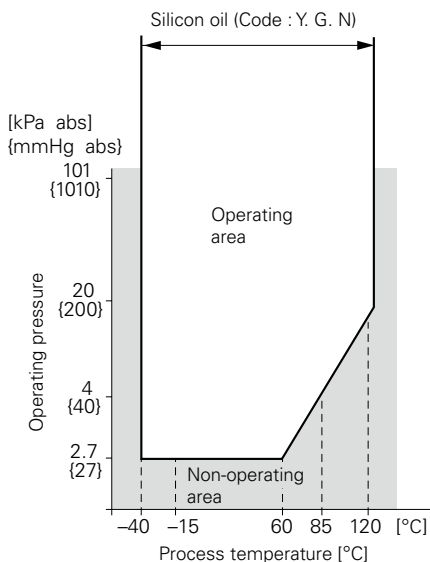


Fig. 1 Relation between process temperature and operating pressure

ACCESSORIES

Oval flanges: (Model FFP, refer to Data Sheet No. EDS6-10)

Converts process connection to 1/2-14 NPT or to Rc1/2; in carbon steel or in 316 stainless steel.

Equalizing valves:

(Model FFN, refer to Data Sheet No. EDS6-10)

Available in CS or in 316 stainless steel and in pressure rating 16MPa or 42MPa.

Hand-held communicator:

(Model FXW, refer to Data Sheet No. EDS 8-47)

ORDERING INFORMATION

When ordering this instrument, specify:

1. CODE SYMBOLS
2. Measuring range
3. Output orientation (burnout direction) when abnormality is occurred in the transmitter.
Hold / Overscale / Underscale
Unless otherwise specified, output hold function is supplied.
4. Output mode (linear or square root output)
Unless otherwise specified, output mode is linear.
5. Indication method (indicated value and unit) in case of the actual scale (code D, H, P, S on 9th digit).
6. Tag No. (up to 20 alphanumeric characters), if required.

OUTLINE DIAGRAM (Unit:mm)

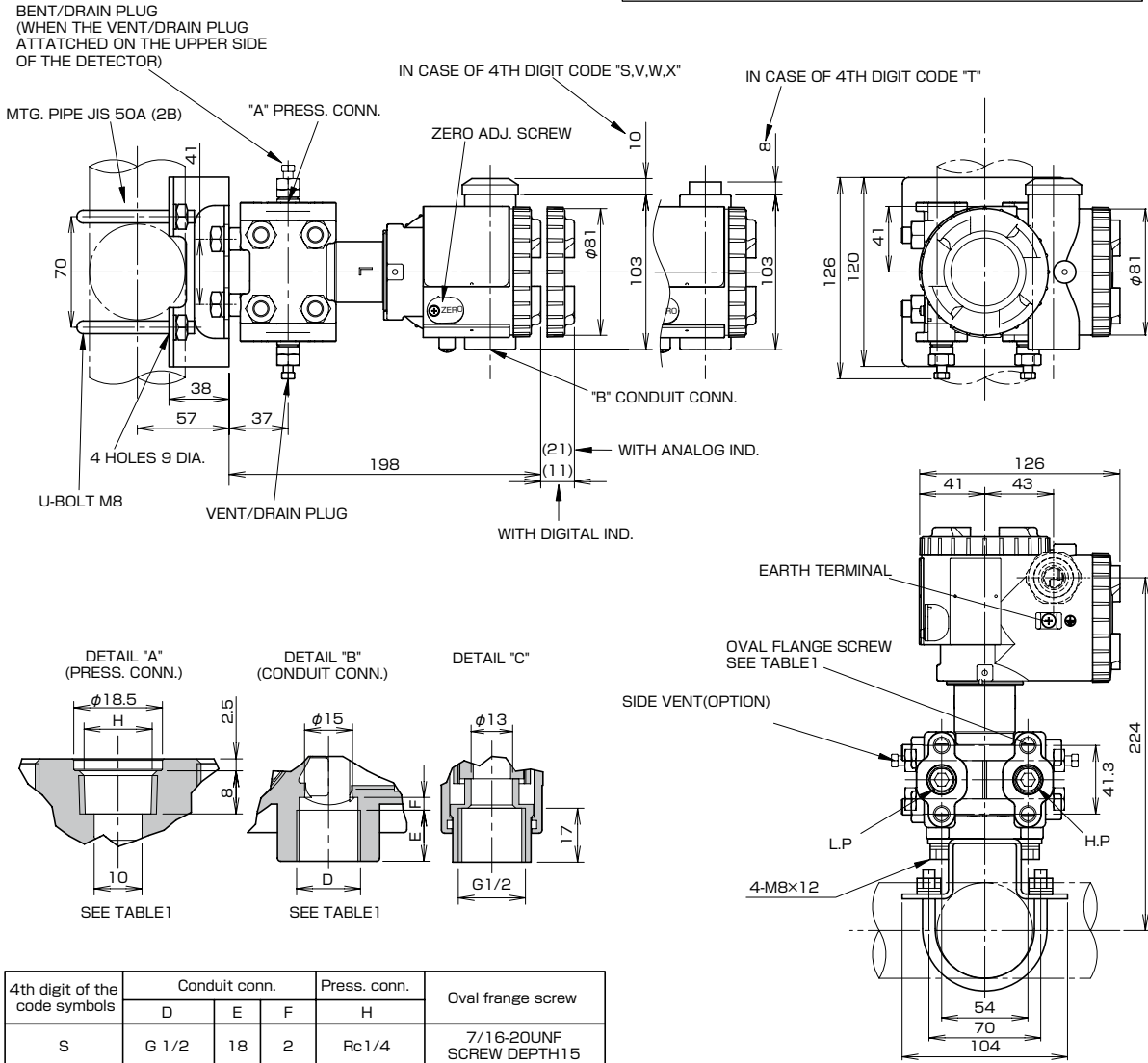
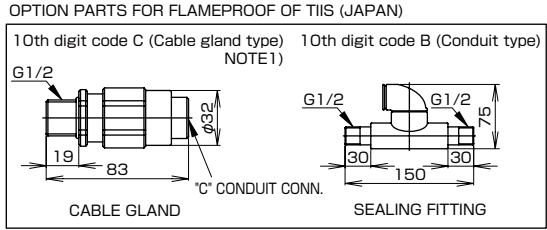
< CODE SYMBOLS : FKC

SW
T X
V

 3

C5

 >

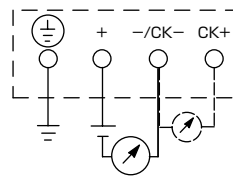


4th digit of the code symbols	Conduit conn.			Press. conn.	Oval frange screw
	D	E	F	H	
S	G 1/2	18	2	Rc1/4	7/16-20UNF SCREW DEPTH15
T	1/2-14NPT	16	4	1/4-18NPT	7/16-20UNF SCREW DEPTH15
V	Pg13.5	10.5	4.5	1/4-18NPT	M10 SCREW DEPTH15
W	M20x1.5	16	4	1/4-18NPT	M10 SCREW DEPTH15
X	Pg13.5	10.5	4.5	1/4-18NPT	7/16-20UNF SCREW DEPTH15

TABLE 1

NOTE1) IN CASE OF 10TH CODE "C", $\phi 11$ CABLE IS SUITBLE.

CONNECTION DIAGRAM

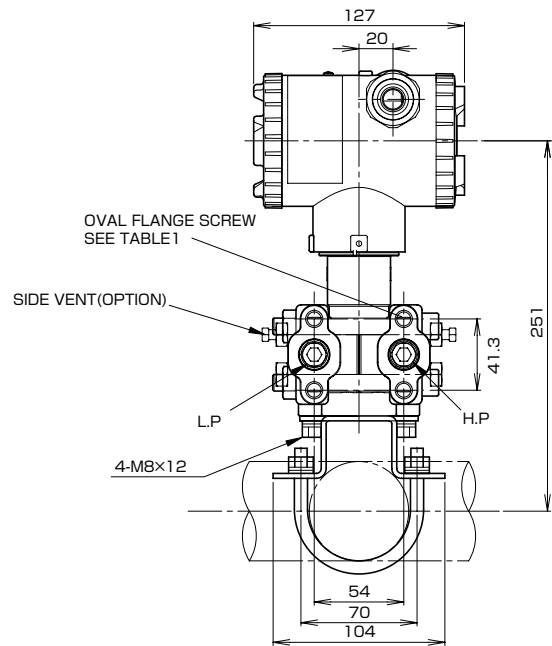
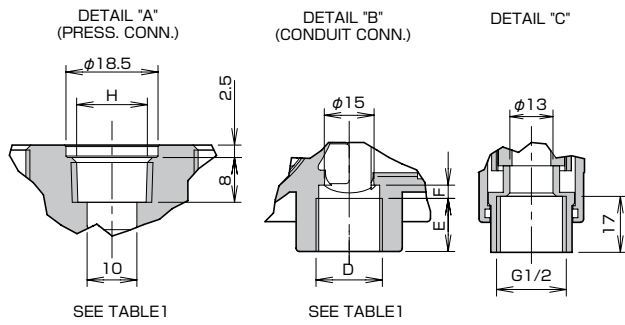
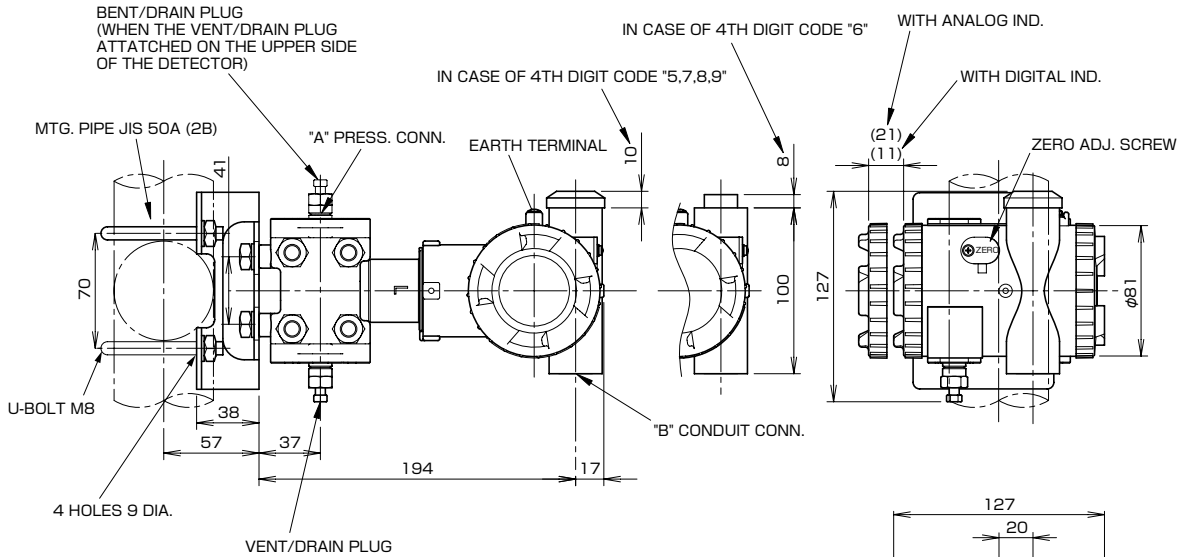
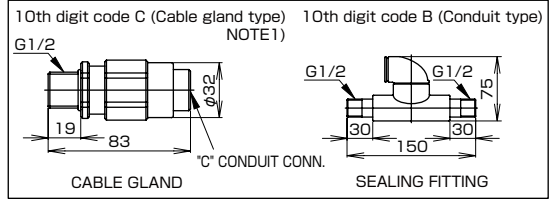


< CODE SYMBOLS : FK

5	8
6	9
7	

 3 □ C5 >

OPTION PARTS FOR FLAMEPROOF OF TIIS (JAPAN)



4th digit of the code symbols	Conduit conn.			Press. conn.	Oval flange screw
	D	E	F	H	
5	G 1/2	18	2	Rc1/4	7/16-20UNF SCREW DEPTH 15
6	1/2-14NPT	16	4	1/4-18NPT	7/16-20UNF SCREW DEPTH 15
7	Pg13.5	10.5	4.5	1/4-18NPT	M10 SCREW DEPTH 15
8	M20x1.5	16	4	1/4-18NPT	M10 SCREW DEPTH 15
9	Pg13.5	10.5	4.5	1/4-18NPT	7/16-20UNF SCREW DEPTH 15

TABLE 1

NOTE1) IN CASE OF 10TH CODE "C", φ11 CABLE IS SUITABLE.

CONNECTION DIAGRAM

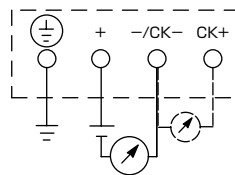


TABLE 2

Authorities	Intrinsic safety																					
ATEX (pending)	Ex II 1 GD EEx ia IIC T5 Tamb = -40°C to +40°C EEx ia IIC T4 Tamb = -40°C to +80°C Entity Parameters: Ui=28V, Ii=93.3mA, Pi=0.66W, Ci=25.18nF (Without Arrester), Li=35.98nF (With Arrester), Li=0.694mH																					
Factory Mutual (pending)	Class I II III Div.1 Groups A, B, C, D, E, F, G T4 Entity Type 4X <table border="1"> <thead> <tr> <th colspan="2">Model code</th> <th>Tamb</th> </tr> <tr> <th>9th digit</th> <th>13th digit</th> <th></th> </tr> </thead> <tbody> <tr> <td>A, B, C, D, J</td> <td>Y, G, N</td> <td>-40°C to +85°C</td> </tr> <tr> <td>L, P, M, 1, 2, 3</td> <td>Y, G, N</td> <td>-20°C to +80°C</td> </tr> <tr> <td>Q, S, N, 4, 5, 6</td> <td>Y, G, N</td> <td>-20°C to +60°C</td> </tr> <tr> <td>E, F, G, H, K</td> <td>Y, G, N</td> <td>-40°C to +60°C</td> </tr> <tr> <td>-</td> <td>W, A</td> <td>-10°C to +60°C</td> </tr> </tbody> </table> Entity Parameters: Vmax=42.4V, Imax=113mA, Pi=1W, Ci=35.98nF, Li=0.694mH	Model code		Tamb	9th digit	13th digit		A, B, C, D, J	Y, G, N	-40°C to +85°C	L, P, M, 1, 2, 3	Y, G, N	-20°C to +80°C	Q, S, N, 4, 5, 6	Y, G, N	-20°C to +60°C	E, F, G, H, K	Y, G, N	-40°C to +60°C	-	W, A	-10°C to +60°C
Model code		Tamb																				
9th digit	13th digit																					
A, B, C, D, J	Y, G, N	-40°C to +85°C																				
L, P, M, 1, 2, 3	Y, G, N	-20°C to +80°C																				
Q, S, N, 4, 5, 6	Y, G, N	-20°C to +60°C																				
E, F, G, H, K	Y, G, N	-40°C to +60°C																				
-	W, A	-10°C to +60°C																				
CSA (pending)	Class I Div.1 Groups A, B, C, D Class II Div.1 Groups E, F, G Class III Div.1 Temp Code T5 Tamb max = +50°C Temp Code T4 Tamb max = +70°C Entity Parameters: Vmax=28V, Imax=93mA, Ci=25.18nF (Without Arrester), Li=35.98nF (With Arrester), Li=0.694mH																					
TIIS (pending)	Ex ia IIC T4 Tamb max = +60°C Entity Parameters: Ui=28V, Ii=94.3mA, Pi=0.66W, Ci=35.98nF, Li=0.694mH																					
IECEX Scheme (pending)	Ex ia IIC T4 IP66/67 Tamb = -40°C to +70°C Ex ia IIC T5 IP66/67 Tamb = -40°C to +50°C Entity Parameters: Ui=28V, Ii=93.3mA, Pi=0.66W, Ci=35.98nF, Li=0.694mH																					
NEPSI (pending)	Ex ia IIC T4 Ex d IIB+H ₂ T6 / Ex ia IIC T4 <table border="1"> <thead> <tr> <th colspan="2">Model code</th> <th>Tamb</th> </tr> <tr> <th>9th digit</th> <th>13th digit</th> <th></th> </tr> </thead> <tbody> <tr> <td>A, B, D, J</td> <td>Y, G, N</td> <td>-40°C to +85°C</td> </tr> <tr> <td>L, P, 1, 2</td> <td>Y, G, N</td> <td>-20°C to +80°C</td> </tr> <tr> <td>Q, S, 4, 5</td> <td>Y, G, N</td> <td>-20°C to +60°C</td> </tr> <tr> <td>E, F, H, K</td> <td>Y, G, N</td> <td>-40°C to +60°C</td> </tr> <tr> <td>-</td> <td>W, A</td> <td>-10°C to +60°C</td> </tr> </tbody> </table> Entity Parameters: Ui=42.4V, Ii=113mA, Pi=1W, Ci=35.98nF, Li=0.694mH	Model code		Tamb	9th digit	13th digit		A, B, D, J	Y, G, N	-40°C to +85°C	L, P, 1, 2	Y, G, N	-20°C to +80°C	Q, S, 4, 5	Y, G, N	-20°C to +60°C	E, F, H, K	Y, G, N	-40°C to +60°C	-	W, A	-10°C to +60°C
Model code		Tamb																				
9th digit	13th digit																					
A, B, D, J	Y, G, N	-40°C to +85°C																				
L, P, 1, 2	Y, G, N	-20°C to +80°C																				
Q, S, 4, 5	Y, G, N	-20°C to +60°C																				
E, F, H, K	Y, G, N	-40°C to +60°C																				
-	W, A	-10°C to +60°C																				

Authorities	Flameproof																					
ATEX (pending)	Ex II 2 GD EEx d IIC T6 IP66/67 T85C Tamb = -40°C to +65°C EEx d IIC T5 IP66/67 T100C Tamb = -40°C to +85°C																					
Factory Mutual (pending)	Class I Div.1 Groups B, C, D T6 Type 4X Class II III Div.1 Groups E, F, G T6 Type 4X Tamb max = +60°C																					
CSA	Class I Div.1 Groups C, D Class II Div.1 Groups E, F, G Class III Div.1 Note) "Seal Not Required" enclosure is allowed.																					
TIIS	Ex do IIB+H ₂ T4 Tamb max = +60°C Maximum process temp. = +120°C																					
IECEX Scheme (pending)	Ex d IIC T5 IP66/67 Tamb = -40°C to +85°C Ex d IIC T6 IP66/67 Tamb = -40°C to +65°C																					
NEPSI	Ex d IIB+H ₂ T6 Tamb = -40°C to +60°C																					
Authorities	Type n Nonincendive																					
ATEX (pending)	Ex II 3 GD EEx nL IIC T5 Tamb = -40°C to +50°C EEx nL IIC T4 Tamb = -40°C to +70°C Specific Parameters: Model without arrester: Ui=42.4V, Ii=113mA, Pi=1W, Ci=25.18nF, Li=0.694mH Model with arrester: Ui=32V, Ii=113mA, Pi=1W, Ci=35.98nF, Li=0.694mH EEx nAL IIC T5 Tamb = -40°C to +50°C EEx nAL IIC T4 Tamb = -40°C to +70°C Specific Parameters: Model without arrester: Umax=42.4V, Imax=113mA, Pmax=1W Model with arrester: Umax=32V, Imax=113mA, Pmax=1W																					
Factory Mutual (pending)	Class I II III Div.2 Groups A, B, C, D, F, G T4 Entity Type 4X <table border="1"> <thead> <tr> <th colspan="2">Model code</th> <th>Tamb</th> </tr> <tr> <th>9th digit</th> <th>13th digit</th> <th></th> </tr> </thead> <tbody> <tr> <td>A, B, C, D, J</td> <td>Y, G, N</td> <td>-40°C to +85°C</td> </tr> <tr> <td>L, P, M, 1, 2, 3</td> <td>Y, G, N</td> <td>-20°C to +80°C</td> </tr> <tr> <td>Q, S, N, 4, 5, 6</td> <td>Y, G, N</td> <td>-20°C to +60°C</td> </tr> <tr> <td>E, F, G, H, K</td> <td>Y, G, N</td> <td>-40°C to +60°C</td> </tr> <tr> <td>-</td> <td>W, A, D</td> <td>-10°C to +60°C</td> </tr> </tbody> </table>	Model code		Tamb	9th digit	13th digit		A, B, C, D, J	Y, G, N	-40°C to +85°C	L, P, M, 1, 2, 3	Y, G, N	-20°C to +80°C	Q, S, N, 4, 5, 6	Y, G, N	-20°C to +60°C	E, F, G, H, K	Y, G, N	-40°C to +60°C	-	W, A, D	-10°C to +60°C
Model code		Tamb																				
9th digit	13th digit																					
A, B, C, D, J	Y, G, N	-40°C to +85°C																				
L, P, M, 1, 2, 3	Y, G, N	-20°C to +80°C																				
Q, S, N, 4, 5, 6	Y, G, N	-20°C to +60°C																				
E, F, G, H, K	Y, G, N	-40°C to +60°C																				
-	W, A, D	-10°C to +60°C																				
CSA (pending)	Class I Div.2 Groups A, B, C, D Class II Div.2 Groups E, F, G Class III Div.2 Temp Code T5 Tamb max = +50°C Temp Code T4 Tamb max = +70°C Entity Parameters: Vmax=28V, Ci=25.18nF (Without Arrester), Li=35.98nF (With Arrester), Li=0.694mH																					

⚠ Caution on Safety

*Before using this product, be sure to read its instruction manual in advance.

Fuji Electric Systems Co., Ltd.

Sales Div. III, International Sales Group Global Business Group

Gate City Ohsaki, East Tower, 11-2, Osaki 1-chome,
Shinagawa-ku, Tokyo 141-0032, Japan

<http://www.fesys.co.jp/eng>

Phone: 81-3-5435-7280, 7281 Fax: 81-3-5435-7425

<http://www.fic-net.jp/eng>