

ABSOLUTE PRESSURE TRANSMITTER

DATA SHEET

FKA...5

The FCX-AII absolute pressure transmitter accurately measures absolute pressure and transmits a proportional 4 to 20mA signal.

The transmitter utilizes a unique micromachined capacitance silicon sensor with state-of-the-art micro-processor technology to provide exceptional performance and functionality.

FEATURES

1. High accuracy

0.2% accuracy for all calibrated spans is a standard feature for all AP models covering 1.6kPa {0.016bar} range to 3000kPa {30bar} high pressure range. 0.1% accuracy is available as option. Fuji's micro-capacitance silicon sensor assures this accuracy for all suppressed calibration ranges without additional adjustment.

2. Minimum environmental influence

The "Advanced Floating Cell" design which protects the pressure sensor against changes in temperature, and over-pressure substantially reduces total measurement error in actual field applications.

3. Fuji/HART® bilingual communications protocol

FCX-AII series transmitter offers bilingual communications to speak both Fuji proprietary protocol and HART®.

Any HART® compatible devices can communicate with FCX-AII.

4. Application flexibility

Various options that render the FCX-AII suitable for almost any process applications include:

- Full range of hazardous area approvals
- Built-in RFI filter and lightning arrester
- 5-digit LCD meter with engineering unit
- Stainless steel electronics housing
- Wide selection of materials

5. Burnout current flexibility (Under Scale: 3.2 to 4.0mA, Over Scale: 20.0 to 22.5mA)

Burnout signal level is adjustable using Model FXW or Hand Held Communicator (HHC) to comply with NAMUR NE43.

6. Dry calibration without reference pressure

Thanks to the best combination of unique construction of mechanical parts (Sensor unit) and high performance electronics circuit (Electronics unit), reliability of dry calibration without reference pressure is at equal level as wet calibration.



SPECIFICATIONS

Functional specifications

Type:

FKA: Smart, 4 to 20mA DC + Fuji/Hart® digital signal

Service:

Liquid, gas, or vapour

Span, range, and overrange limit:

Type	Span limit kPa abs {bar abs}		Range limit kPa abs {bar abs}	Overrange limit MPa {bar}
	Min.	Max.		
FKA□01	1.6 {0.016}	16 {0.16}	0 to +16 {0 to +0.16}	0.5 {5}
FKA□02	1.6 {0.016}	130 {1.3}	0 to +130 {0 to +1.3}	0.5 {5}
FKA□03	5 {0.05}	500 {5}	0 to +500 {0 to +5}	1.5 {15}
FKA□04	30 {0.3}	3000 {30}	0 to +3000 {0 to +30}	9 {90}
FKA□05	100 {1}	10000 {100}	0 to +10000 {0 to +100}	15 {150}

Remark:

To minimize environmental influence, span should be greater than 1/40 of the max. span in most applications.

Output signal:

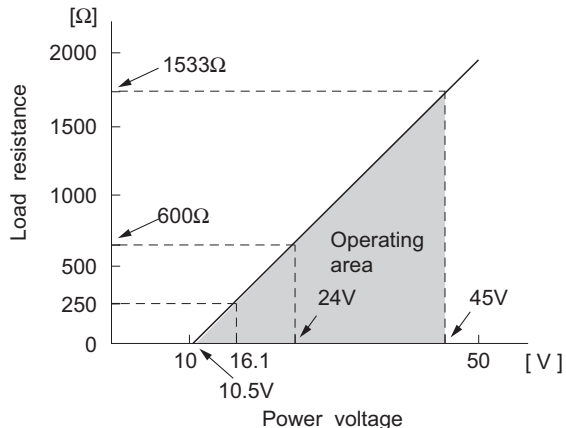
4 to 20mA DC with digital signal superimposed on the 4 to 20mA signal.

Power supply:

Transmitter operates on 10.5V to 45V DC at transmitter terminals.

10.5V to 32V DC for the units with optional arrester.

Load limitations: see figure below



Note: For communication with HHC⁽¹⁾ (Model: FXW), min. of 250Ω is required.

Hazardous locations:

Authority (Digit 10 =)	Intrinsic safety																					
ATEX (K)	Ex II 1 G Ex ia IIC T5 (-40°C ≤ Ta ≤ +50 °C) Ex ia IIC T4 (-40°C ≤ Ta ≤ +70 °C) IP66/67 Entity Parameters: Ui ≤ 28 Vdc, Ii ≤ 94.3 mA, Pi ≤ 0.66 W Ci = 36 nF/26 nF for models with/without Arrester Li = 0.7 mH/0.6 mH for models with/without Analog Indicator																					
Factory Mutual (H)	Class I II III Div.1 Groups A, B, C, D, E, F, G T4 Entity Type 4X <table border="1"> <thead> <tr> <th colspan="2">Model code</th> <th>Tamb</th> </tr> <tr> <th>9th digit</th> <th>13th digit</th> <th></th> </tr> </thead> <tbody> <tr> <td>A,B,C,D,J</td> <td>Y,G,N</td> <td>-40°C to +85°C</td> </tr> <tr> <td>L,P,M,1,2,3</td> <td>Y,G,N</td> <td>-20°C to +80°C</td> </tr> <tr> <td>Q,S,N,4,5,6</td> <td>Y,G,N</td> <td>-20°C to +60°C</td> </tr> <tr> <td>E,F,G,H,K</td> <td>Y,G,N</td> <td>-40°C to +60°C</td> </tr> <tr> <td>-</td> <td>W,A,D</td> <td>-10°C to +60°C</td> </tr> </tbody> </table> Entity Parameters: Vmax=42.4V, Imax=113mA, Pi=1W, Ci=35.98nF, Li=0.694mH	Model code		Tamb	9th digit	13th digit		A,B,C,D,J	Y,G,N	-40°C to +85°C	L,P,M,1,2,3	Y,G,N	-20°C to +80°C	Q,S,N,4,5,6	Y,G,N	-20°C to +60°C	E,F,G,H,K	Y,G,N	-40°C to +60°C	-	W,A,D	-10°C to +60°C
Model code		Tamb																				
9th digit	13th digit																					
A,B,C,D,J	Y,G,N	-40°C to +85°C																				
L,P,M,1,2,3	Y,G,N	-20°C to +80°C																				
Q,S,N,4,5,6	Y,G,N	-20°C to +60°C																				
E,F,G,H,K	Y,G,N	-40°C to +60°C																				
-	W,A,D	-10°C to +60°C																				
CSA (J)	Ex ia Class I, Groups A, B, C and D; Class II, Groups E,F and G; Class III Per drawing TC 522873 Temp. code T5 for Tamb max = +50°C Temp. code T4 for Tamb max = +70°C Entity Parameters: Vmax = 28 Vdc, Imax = 94.3 mA, Pmax = 0.66 W Ci = 36 nF/25 nF for models with/without Arrester Li = 0.7 mH/0.6 mH for models with/without Analog Indicator																					
IECEX (T)	Ex ia IIC T5 (-40°C ≤ Ta ≤ +50 °C) Ex ia IIC T4 (-40°C ≤ Ta ≤ +70 °C) IP66/67 Entity Parameters: Ui ≤ 28 Vdc, Ii ≤ 94.3 mA, Pi ≤ 0.66 W Ci = 36 nF/26 nF for models with/without Arrester Li = 0.7 mH/0.6 mH for models with/without Analog Indicator																					

Authority	Flameproof																					
ATEX (X)	Ex II 2 GD Ex d IIC T6 (-40°C ≤ Ta ≤ +65 °C) Ex d IIC T5 (-40°C ≤ Ta ≤ +85 °C) Ex tD A21 IP66/67 T 85°C Ex tD A21 IP66/67 T 100°C Electrical ratings Model Without arrester: Ui ≤ 45 Vdc, 4-20 mA loop powered, Pi ≤ 1.0125 W Model With arrester: Ui ≤ 32 Vdc, 4-20 mA loop powered, Pi ≤ 1.0125 W																					
Factory Mutual (D)	Class I Div.1 Groups B, C, D T6 Type 4X Class II III Div.1 Groups E, F, G T6 Type 4X Tamb max = +60°C																					
CSA (E)	Class I, Groups C and D; Class II, Groups E,F and G ; Class III Maximum ambient temperature 85°C Maximum working pressure 50 Mpa Electrical ratings Model Without arrester: Ui ≤ 45 Vdc, 4-20 mA Model With arrester: Ui ≤ 32 Vdc, 4-20 mA Note: "Seal not required"																					
IECEX (R)	Ex d IIC T6 (-40°C ≤ Ta ≤ +65 °C) Ex d IIC T5 (-40°C ≤ Ta ≤ +85 °C) DIP A21 IP66/67 T 85°C DIP A21 IP66/67 T 100°C Electrical ratings Model Without arrester: Ui ≤ 45 Vdc, 4-20 mA loop powered, Pi ≤ 1.0125 W Model With arrester: Ui ≤ 32 Vdc, 4-20 mA loop powered, Pi ≤ 1.0125 W																					
Authority (Digit 10 =)	Type n Nonincendive																					
ATEX (P)	Ex II 3 G Ex nA II T5 (-40°C ≤ Ta ≤ +70 °C) IP66/67 Electrical ratings Model Without arrester: Ui ≤ 45 Vdc, 4-20 mA loop powered, Pi ≤ 1.0125 W Model With arrester: Ui ≤ 32 Vdc, 4-20 mA loop powered, Pi ≤ 1.0125 W Optional Analog indicator is not available for type "n"																					
Factory Mutual (H)	Class I II III Div.2 Groups A, B, C, D, F, G T4 Entity Type 4X <table border="1"> <thead> <tr> <th colspan="2">Model code</th> <th>Tamb</th> </tr> <tr> <th>9th digit</th> <th>13th digit</th> <th></th> </tr> </thead> <tbody> <tr> <td>A,B,C,D,J</td> <td>Y,G,N</td> <td>-40°C to +85°C</td> </tr> <tr> <td>L,P,M,1,2,3</td> <td>Y,G,N</td> <td>-20°C to +80°C</td> </tr> <tr> <td>Q,S,N,4,5,6</td> <td>Y,G,N</td> <td>-20°C to +60°C</td> </tr> <tr> <td>E,F,G,H,K</td> <td>Y,G,N</td> <td>-40°C to +60°C</td> </tr> <tr> <td>-</td> <td>W,A,D</td> <td>-10°C to +60°C</td> </tr> </tbody> </table>	Model code		Tamb	9th digit	13th digit		A,B,C,D,J	Y,G,N	-40°C to +85°C	L,P,M,1,2,3	Y,G,N	-20°C to +80°C	Q,S,N,4,5,6	Y,G,N	-20°C to +60°C	E,F,G,H,K	Y,G,N	-40°C to +60°C	-	W,A,D	-10°C to +60°C
Model code		Tamb																				
9th digit	13th digit																					
A,B,C,D,J	Y,G,N	-40°C to +85°C																				
L,P,M,1,2,3	Y,G,N	-20°C to +80°C																				
Q,S,N,4,5,6	Y,G,N	-20°C to +60°C																				
E,F,G,H,K	Y,G,N	-40°C to +60°C																				
-	W,A,D	-10°C to +60°C																				
CSA (J)	Class I Div.2 Groups A, B, C, D Class II Div.2 Groups E, F, G Class III Div.2 Temp Code T5 Tamb max = +50°C Temp Code T4 Tamb max = +70°C Entity Parameters: Vmax = 28 Vdc, Imax = 94.3 mA, Pmax = 0.66 W Ci = 36 nF/25 nF for models with/without Arrester Li = 0.7 mH/0.6 mH for models with/without Analog Indicator																					
IECEX (Q)	Ex nA II T5 (-40°C ≤ Ta ≤ +70 °C) IP66/67 Electrical ratings Model Without arrester: Ui ≤ 45 Vdc, 4-20 mA loop powered, Pi ≤ 1.0125 W Model With arrester: Ui ≤ 32 Vdc, 4-20 mA loop powered, Pi ≤ 1.0125 W Optional Analog indicator is not available for type "n"																					

Zero/span adjustment:

Zero and span are adjustable from the HHC⁽¹⁾. Zero and span are also adjustable externally from the adjustment screw.

Damping:

Adjustable from HHC or local adjustment unit with LCD display.

The time constant is adjustable between 0 to 32 seconds.

Zero elevation/suppression:

Zero can be elevated within the specified range limit of each sensor model.

Normal/reverse action:

Selectable from HHC⁽¹⁾.

Indication:

Analog indicator or 5-digit LCD meter, as specified.

Burnout direction: Selectable from HHC⁽¹⁾

If self-diagnostic detect transmitter failure, the analog signal will be driven to either "Output Hold", "Output Overscale" or "Output Underscale" modes.

"Output Hold":

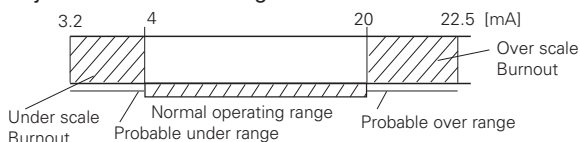
Output signal is hold as the value just before failure happens.

"Output Overscale":

Adjustable within the range 20.0mA to 22.5mA from HHC⁽¹⁾

"Output Underscale":

Adjustable within the range 3.2mA to 4.0mA from HHC⁽¹⁾



Loop-check output:

Transmitter can be configured to provide constant signal 3.2mA through 22.5mA by HHC⁽¹⁾.

Temperature limit:

- Ambient: -40 to +85°C
- 20 to +80°C (for LCD indicator)
- 40 to +60°C (for arrester option)

For explosionproof units (flameproof or intrinsic safety), ambient temperature must be within the limits specified by each standard.

- Process: -40 to +85°C for silicone fill sensor
- Storage: -40 to +90°C

Humidity limit:

0 to 100% RH

Communication:

With HHC⁽¹⁾ (model FXW, consult DS EDS8-47), following items can be remotely displayed or configured.

Note: HHC's version soft must be higher than 7.0 (or FXW□□□□1-□4), for FCX-All for supporting these items: "Saturate current", "Write protect", and "History".

Items	Fuji Protocol with FXW		Hart Protocol	
	Display	Set	Display	Set
Tag No.	✓	✓	✓	✓
Model No.	✓	✓	—	—
Serial No. & Software Version	✓	—	✓	—
Engineering unit	✓	✓	✓	✓
Range limit	✓	—	✓	—
Measuring range	✓	✓	✓	✓
Damping	✓	✓	✓	✓
Output mode	✓	—	✓	—
Burnout direction	✓	✓	✓	✓
Calibration	✓	✓	✓	✓
Output adjust	—	✓	—	✓
Data	✓	—	✓	—

Self diagnoses	✓	—	✓	—
Printer (In case of FXW with printer option)	✓	—	—	—
External switch lock	✓	✓	✓	✓
Transmitter display	✓	✓	✓	✓
*Linearize	✓	✓	—	—
Rerange	✓	✓	✓	✓
Saturate current	✓	✓	✓	✓
Write protect	✓	✓	✓	✓
History				
- Calibration history	✓	✓	✓	✓
- Ambient temperature history	✓	—	✓	—

(Note) (1) HHC: Hand Held Communicator

***Local configurator with LCD display (option):**

Local configurator with 3 push button and LCD display can support all items (Fuji Protocol list) except "Linearize" function.

Programmable output linearization function:

Output signal can be characterized with "14 points linear approximation function" from HHC⁽¹⁾.

Performance specifications

Reference conditions, silicone oil fill, 316SS isolating diaphragms, 4 to 20mA analog output.

Accuracy rating:

(including linearity, hysteresis, and repeatability).

(Standard)

For spans greater than 1/10 of URL: ±0.2% of span

For spans below 1/10 of URL:

$$\pm \left(0.1 + 0.1 \frac{0.1 \times \text{URL}}{\text{Span}} \right) \% \text{ of span}$$

(Option) (code: 21th digit H)

(Not available for Max span 16kPa abs, 130kPa abs)

For spans greater than 1/10 of URL: ±0.1% of span

For spans below 1/10 of URL:

$$\pm \left(0.05 + 0.05 \frac{0.1 \times \text{URL}}{\text{Span}} \right) \% \text{ of span}$$

Stability:

±0.2% of upper range limit (URL) for 10 years.

Temperature effect:

Effect per 28°C change between the limits of -40°C and +85°C

$$\text{Zero shift: } \pm \left(0.125 + 0.1 \frac{\text{URL}}{\text{Span}} \right) \%$$

$$\text{Total effect: } \pm \left(0.15 + 0.1 \frac{\text{URL}}{\text{Span}} \right) \%$$

Double the effects for material code "H" (7th digit in codes symbols)

Overrange effect:

Zero shift: ±0.2% of URL for any overrange to maximum limit

Supply voltage effect:

Less than 0.005% of calibrated span per 1V

Update rate:

60 msec

Response time: (at 63,2% of output signal)

Time constant: 0.08s (at 23°C)

Dead time: 0.12s (without electrical damping)

Response time = time constant + dead time

Mounting position effect:

Zero shift, less than 0.1kPa {1mbar} for a 10° tilt in any plane.

No effect on span. This error can be corrected by adjusting zero.

Vibration effect:

> ±0,25% of span for spans greater than 1/10 of URL.
Frequency 10 to 150Hz, acceleration 39,2m/sec².

Material fatigue:

Please consult Fuji Electric.

Dielectric strength:

500V AC, 50/60Hz 1 min., between circuit and earth.

Insulation resistance:

More than 100MΩ at 500V DC.

Internal resistance for external field indicator:

12Ω max (connected to test terminal CK+ and CK-)

Physical specifications

Electrical connections:

1/2"-14 NPT, Pg13.5, or M20 x 1.5

Process connections:

1/4"-18 NPT, as specified.

Process-wetted parts material:

Material code (7th digit in code symbols")	Process cover	Diaphragm	Wetted sensor body	Vent/drain
V	316 SS	316L SS	316 SS	316 SS
H	PVDF or 316 SS	Hastelloy-C	Hastelloy-C lining	316 SS
J	316 SS	316 SS + gold coat	Tantalum lining	316 SS

Remark: Sensor gasket :
Viton o-ring or PTFE square section gasket. Availability of above material design depends on ranges and static pressure.
Refer to "Code symbols".

Non-wetted parts material:

Electronics housing:

Low copper die-cast aluminum alloy finished with polyester coating (standard), or 316 stainless steel, as specified.

Bolts and nut:

Cr-Mo alloy (standard), or 316 SS

Fill fluid: Silicone oil

Mounting bracket: 304 SS.

Environmental protection:

IEC IP67 and NEMA 6/6P

Mounting:

Without mounting bracket : direct mounting on mani-fold (optional)

With optional mounting bracket : for 50mm (2") pipe or direct wall mounting.

Mass{weight}:

Transmitter approximately 2.9 to 3.4kg without options.

Add: 0.5kg for mounting bracket

4.5kg for stainless steel housing option

Optional features

Indicator:

A plug-in analog indicator.

An optional 5-digit LCD meter with engineering unit is also available.

Local configurator with LCD display:

An optional 5 digits LCD meter with 3 push buttons can support items as using communication with FXW.

Arrester:

A built-in arrester protects the electronics from lightning surges.

Lightning surge immunity: 4kV (1.2 × 50μs)

Degreasing:

Process-wetted parts are cleaned, but the fill fluid is standard silicone oil. Not for use on oxygen or chlorine measurement.

NACE specification:

Metallic materials for all pressure bound ary parts comply with NACE MR-01-75.

660 stainless steel bolts and nuts comply with NACE.

Optional tagplate:

An extra stainless steel tag for customer tag data is wired to the transmitter.

ACCESSORIES

Oval flanges:

Converts process connection to 1/2-14 NPT in 316 stainless steel.

Hand held communicator:

(Model FXW, refer to datasheet No. EDS 8-47)

CODE SYMBOLS

1	2	3	4	5	6	7	8	9	10	11	12	13	14	15	16	DESCRIPTION																																																																												
F	K	A					5																																																																																					
																Type Smart 4-20 mAdc + Fuji/Hart digital® signal																																																																												
																Connections																																																																												
																<table border="1"> <thead> <tr> <th>Process</th><th>Oval flange</th><th>Conduit</th></tr> </thead> <tbody> <tr> <td>1/4-18 NPT</td><td>7/16-20 UNF</td><td>M 20 x 1,5</td></tr> <tr> <td>1/4-18 NPT</td><td>7/16-20 UNF</td><td>1/2-14 NPT</td></tr> <tr> <td>1/4-18 NPT</td><td>M10</td><td>Pg 13,5</td></tr> <tr> <td>1/4-18 NPT</td><td>M10</td><td>M 20 x 1,5</td></tr> <tr> <td>1/4-18 NPT</td><td>7/16-20 UNF</td><td>Pg 13,5</td></tr> </tbody> </table>	Process	Oval flange	Conduit	1/4-18 NPT	7/16-20 UNF	M 20 x 1,5	1/4-18 NPT	7/16-20 UNF	1/2-14 NPT	1/4-18 NPT	M10	Pg 13,5	1/4-18 NPT	M10	M 20 x 1,5	1/4-18 NPT	7/16-20 UNF	Pg 13,5																																																										
Process	Oval flange	Conduit																																																																																										
1/4-18 NPT	7/16-20 UNF	M 20 x 1,5																																																																																										
1/4-18 NPT	7/16-20 UNF	1/2-14 NPT																																																																																										
1/4-18 NPT	M10	Pg 13,5																																																																																										
1/4-18 NPT	M10	M 20 x 1,5																																																																																										
1/4-18 NPT	7/16-20 UNF	Pg 13,5																																																																																										
																Range and materials																																																																												
																(*)																																																																												
																<table border="1"> <thead> <tr> <th>Span(*1)</th><th>Process cover</th><th>Diaphragm</th><th>Wetted cell body</th></tr> </thead> <tbody> <tr> <td></td><td>316 SS</td><td>316L SS</td><td>316 SS</td></tr> <tr> <td>0,016/0,16 bar abs</td><td>316 SS</td><td>Hast.C</td><td>Hastelloy C lining</td></tr> <tr> <td></td><td>316 SS</td><td>Gold coat</td><td>316 SS</td></tr> <tr> <td></td><td>PVDF insert</td><td>Hast. C</td><td>Hastelloy C lining</td></tr> <tr> <td></td><td>316 SS</td><td>316L SS</td><td>316 SS</td></tr> <tr> <td>0,016/1,3 bar abs</td><td>316 SS</td><td>Hast.C</td><td>Hastelloy C lining</td></tr> <tr> <td></td><td>316 SS</td><td>Gold coat</td><td>316 SS</td></tr> <tr> <td></td><td>PVDF insert</td><td>Hastelloy C</td><td>Hastelloy C lining</td></tr> <tr> <td></td><td>316 SS</td><td>316L SS</td><td>316 SS</td></tr> <tr> <td>0,05/5 bar abs</td><td>316 SS</td><td>Hastelloy C</td><td>Hastelloy C lining</td></tr> <tr> <td></td><td>316 SS</td><td>Gold coat</td><td>316 SS</td></tr> <tr> <td></td><td>PVDF insert</td><td>Hastelloy C</td><td>Hastelloy C lining</td></tr> <tr> <td></td><td>316 SS</td><td>316L SS</td><td>316 SS</td></tr> <tr> <td>0,3/30 bar abs</td><td>316 SS</td><td>Hastelloy C</td><td>Hastelloy C lining</td></tr> <tr> <td></td><td>316 SS</td><td>Gold coat</td><td>316 SS</td></tr> <tr> <td></td><td>PVDF insert</td><td>Hastelloy C</td><td>Hastelloy C lining</td></tr> <tr> <td></td><td>316 SS</td><td>316L SS</td><td>316 SS</td></tr> <tr> <td>1/100 bar abs</td><td>316 SS</td><td>Gold coat</td><td>316 SS</td></tr> </tbody> </table>	Span(*1)	Process cover	Diaphragm	Wetted cell body		316 SS	316L SS	316 SS	0,016/0,16 bar abs	316 SS	Hast.C	Hastelloy C lining		316 SS	Gold coat	316 SS		PVDF insert	Hast. C	Hastelloy C lining		316 SS	316L SS	316 SS	0,016/1,3 bar abs	316 SS	Hast.C	Hastelloy C lining		316 SS	Gold coat	316 SS		PVDF insert	Hastelloy C	Hastelloy C lining		316 SS	316L SS	316 SS	0,05/5 bar abs	316 SS	Hastelloy C	Hastelloy C lining		316 SS	Gold coat	316 SS		PVDF insert	Hastelloy C	Hastelloy C lining		316 SS	316L SS	316 SS	0,3/30 bar abs	316 SS	Hastelloy C	Hastelloy C lining		316 SS	Gold coat	316 SS		PVDF insert	Hastelloy C	Hastelloy C lining		316 SS	316L SS	316 SS	1/100 bar abs	316 SS	Gold coat	316 SS
Span(*1)	Process cover	Diaphragm	Wetted cell body																																																																																									
	316 SS	316L SS	316 SS																																																																																									
0,016/0,16 bar abs	316 SS	Hast.C	Hastelloy C lining																																																																																									
	316 SS	Gold coat	316 SS																																																																																									
	PVDF insert	Hast. C	Hastelloy C lining																																																																																									
	316 SS	316L SS	316 SS																																																																																									
0,016/1,3 bar abs	316 SS	Hast.C	Hastelloy C lining																																																																																									
	316 SS	Gold coat	316 SS																																																																																									
	PVDF insert	Hastelloy C	Hastelloy C lining																																																																																									
	316 SS	316L SS	316 SS																																																																																									
0,05/5 bar abs	316 SS	Hastelloy C	Hastelloy C lining																																																																																									
	316 SS	Gold coat	316 SS																																																																																									
	PVDF insert	Hastelloy C	Hastelloy C lining																																																																																									
	316 SS	316L SS	316 SS																																																																																									
0,3/30 bar abs	316 SS	Hastelloy C	Hastelloy C lining																																																																																									
	316 SS	Gold coat	316 SS																																																																																									
	PVDF insert	Hastelloy C	Hastelloy C lining																																																																																									
	316 SS	316L SS	316 SS																																																																																									
1/100 bar abs	316 SS	Gold coat	316 SS																																																																																									
																Indicator & Arrestor																																																																												
																<table border="1"> <thead> <tr> <th>Indicator</th><th>Arrestor</th><th>Initial setting</th></tr> </thead> <tbody> <tr> <td>None</td><td>None</td><td></td></tr> <tr> <td>Analog, 0-100% linear scale</td><td>None</td><td></td></tr> <tr> <td>Analog, Custom scale</td><td>None</td><td></td></tr> <tr> <td>Analog, double scale</td><td>None</td><td>4-20mADC</td></tr> <tr> <td>None</td><td>Yes</td><td>+</td></tr> <tr> <td>Analog, 0-100% linear scale</td><td>Yes</td><td>Hart® / Fuji</td></tr> <tr> <td>Analog, Custom scale</td><td>Yes</td><td>digital signal</td></tr> <tr> <td>Analog, double scale</td><td>Yes</td><td>"SMART"</td></tr> <tr> <td>Digital, 0-100%</td><td>None</td><td></td></tr> <tr> <td>Digital, Custom scale</td><td>None</td><td></td></tr> <tr> <td>Digital, 0-100%</td><td>Yes</td><td></td></tr> <tr> <td>Digital, Custom scale</td><td>Yes</td><td></td></tr> </tbody> </table>	Indicator	Arrestor	Initial setting	None	None		Analog, 0-100% linear scale	None		Analog, Custom scale	None		Analog, double scale	None	4-20mADC	None	Yes	+	Analog, 0-100% linear scale	Yes	Hart® / Fuji	Analog, Custom scale	Yes	digital signal	Analog, double scale	Yes	"SMART"	Digital, 0-100%	None		Digital, Custom scale	None		Digital, 0-100%	Yes		Digital, Custom scale	Yes																																						
Indicator	Arrestor	Initial setting																																																																																										
None	None																																																																																											
Analog, 0-100% linear scale	None																																																																																											
Analog, Custom scale	None																																																																																											
Analog, double scale	None	4-20mADC																																																																																										
None	Yes	+																																																																																										
Analog, 0-100% linear scale	Yes	Hart® / Fuji																																																																																										
Analog, Custom scale	Yes	digital signal																																																																																										
Analog, double scale	Yes	"SMART"																																																																																										
Digital, 0-100%	None																																																																																											
Digital, Custom scale	None																																																																																											
Digital, 0-100%	Yes																																																																																											
Digital, Custom scale	Yes																																																																																											
																Approvals for hazardous locations (consult FUJI for availability)																																																																												
																None (Standard)																																																																												
																ATEX - Flameproof enclosures (digit 4 = "M, P, R, T" & "W" only)																																																																												
																ATEX - Intrinsic Safety																																																																												
																(*)5 FM - Explosion-Proof (digit 4 = "P" & "T" only)																																																																												
																CSA - Explosion-Proof (digit 4 = "P" & "T" only)																																																																												
																FM - Intrinsic Safety and Non Incendive																																																																												
																CSA - Intrinsic Safety																																																																												
																ATEX - Type "n" (digit 9 = A, E, 1, 2, 3, 4, 5 & 6 only)																																																																												
																IECEX - Type "n" (digit 9 = A, E, 1, 2, 3, 4, 5 & 6 only)																																																																												
																IECEX - Flameproof enclosures (digit 4 = "M, P, R, T" & "W" only)																																																																												
																IECEX - Intrinsic Safety																																																																												
																CSA - Explosion-Proof & Intrinsic Safety combined approval (digit 4 = "P" & "T" only)																																																																												
																ATEX - Flameproof enclosures & Intrinsic Safety combined approval (digit 4 = "M, P, R, T" & "W" only)																																																																												
																IECEX - Flameproof enclosures & Intrinsic Safety combined approval (digit 4 = "M, P, R, T" & "W" only)																																																																												
																FM - Explosion-Proof & Intrinsic Safety combined approval (digit 4 = "P" & "T" only)																																																																												
																Side vent/drain & mounting bracket																																																																												
																<table border="1"> <thead> <tr> <th>Side vent/drain</th><th>Mounting bracket</th></tr> </thead> <tbody> <tr> <td>None</td><td>None</td></tr> <tr> <td>None</td><td>Yes, SS</td></tr> <tr> <td>Yes</td><td>None</td></tr> <tr> <td>Yes</td><td>Yes, SS</td></tr> </tbody> </table>	Side vent/drain	Mounting bracket	None	None	None	Yes, SS	Yes	None	Yes	Yes, SS																																																																		
Side vent/drain	Mounting bracket																																																																																											
None	None																																																																																											
None	Yes, SS																																																																																											
Yes	None																																																																																											
Yes	Yes, SS																																																																																											
																SS parts																																																																												
																<table border="1"> <thead> <tr> <th>SS tag plate</th><th>SS housing</th></tr> </thead> <tbody> <tr> <td>None</td><td>None</td></tr> <tr> <td>Yes</td><td>None</td></tr> <tr> <td>None</td><td>Yes</td></tr> <tr> <td>Yes</td><td>Yes</td></tr> </tbody> </table>	SS tag plate	SS housing	None	None	Yes	None	None	Yes	Yes	Yes																																																																		
SS tag plate	SS housing																																																																																											
None	None																																																																																											
Yes	None																																																																																											
None	Yes																																																																																											
Yes	Yes																																																																																											
																Special applications & fill fluid																																																																												
																<table border="1"> <thead> <tr> <th>Treatment</th><th>Fill fluid</th></tr> </thead> <tbody> <tr> <td>None (std)</td><td>Silicone oil</td></tr> <tr> <td>Degreasing</td><td>Silicone oil</td></tr> <tr> <td>NACE</td><td>Silicone oil</td></tr> </tbody> </table>	Treatment	Fill fluid	None (std)	Silicone oil	Degreasing	Silicone oil	NACE	Silicone oil																																																																				
Treatment	Fill fluid																																																																																											
None (std)	Silicone oil																																																																																											
Degreasing	Silicone oil																																																																																											
NACE	Silicone oil																																																																																											
																(*)4																																																																												
																Process cover gasket																																																																												
																Viton																																																																												
																PTFE square section gasket in SS flange																																																																												
																(*)3 PTFE square section gasket in PVDF insert																																																																												
																Bolts/screws material																																																																												
																Carbon steel Cr-Mo (standard) M10																																																																												
																SS 316 / 316 (bolt/nuts) M10																																																																												
																SS 660 / 660 (bolt/nuts) M10																																																																												
																Special options or design																																																																												
																(*)2 - * Special, no code available																																																																												

Notes* :

- 1- Turn down of 100 : 1 is possible, but it should be used at a span greater than 1/40 of the maximum span for better performance.
- 2- When no code can be found in the current code symbols, place* in concerned code digit(s) & add* in 16 th digit
- 3- Process cover with PVDF insert with 1/2-14 NPT side process connection/no vent drain, other upon request - square section PTFE gasket
- 4- Our stainless steel bolts/nuts in SS 660 are in conformity with the NACE requirements and must be used for NACE service
- 5- Code "D & V" FM approval only possible with electrical connection 1/2-14 NPT.

EMC Directive (2004/108/EC)

All models of **FCX** series transmitters type **FCX-All** are in accordance with :

- the harmonized standards:
 - EN 61326-1 : 2006 (Electrical equipment for measurement, control and laboratory use - EMC requirements).
 - EN 61326-2-3 : 2006 (Part 2-3 : Particular requirements - Test configuration, operational conditions and performance criteria for transducers with integrated or remote signal conditioning)

Emission limits : EN 61326-1 : 2006

Frequency range (MHz)	Limits	Basic standard
30 to 230	40 dB (µV/m) quasi peak, measured at 10m distance	EN 55011 / CISPR 11 Group 1 Class A
230 to 1000	47 dB (µV/m) quasi peak, measured at 10m distance	

Immunity requirements : EN 61326-1 : 2006 (Table 2)

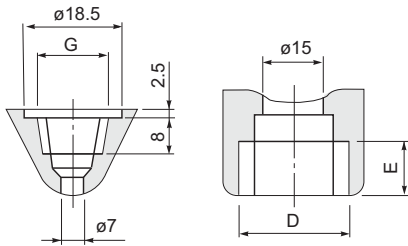
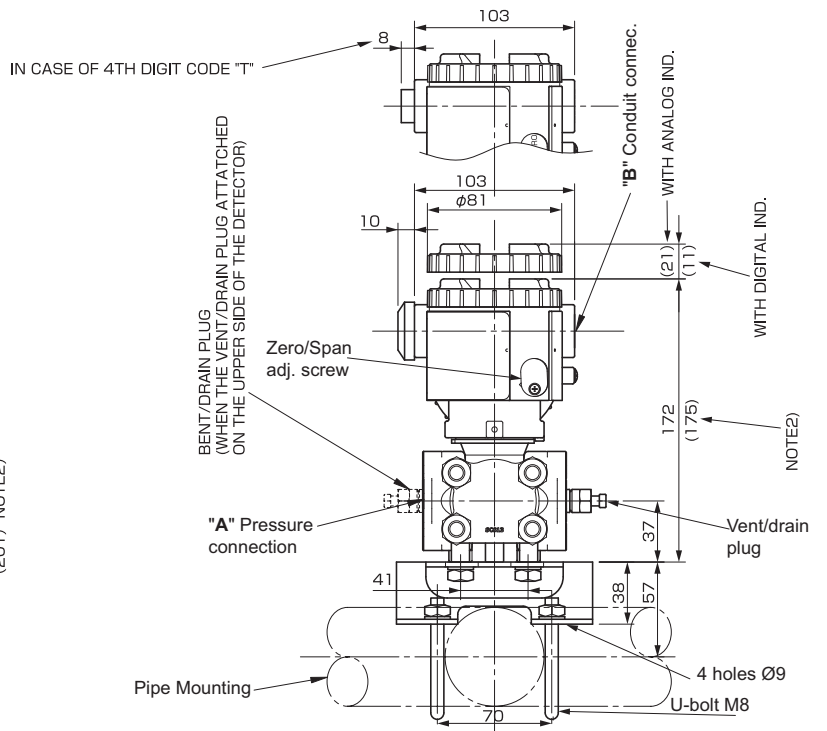
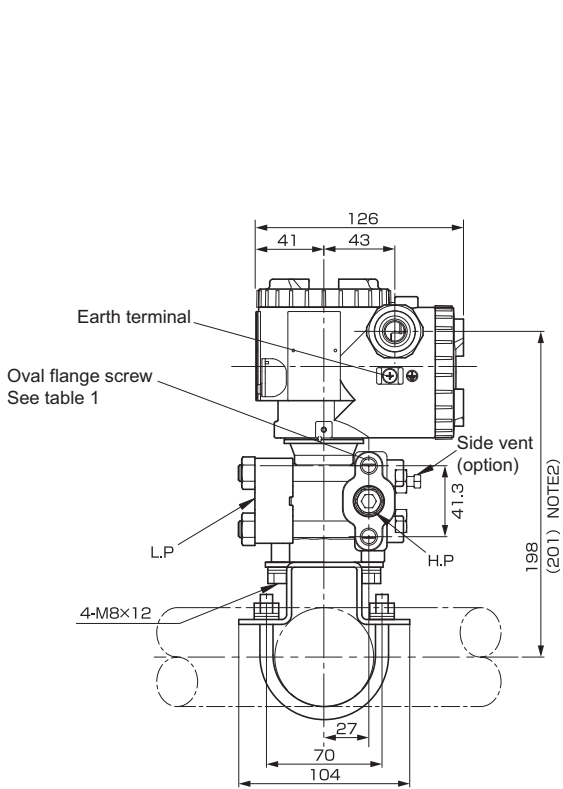
Phenomenon	Test value	Basic standard	Performance criteria
Electrostatic discharge (EDS)	4 kV (Contact) 8 kV (Air)	EN 61000-4-2 IEC 61000-4-2	B
Electromagnetic field	10V/m (80 to 1000 MHz) 3 V/m (1.4 to 2.0 GHz) 1 V/m (2.0 to 2.7 GHz)	EN 61000-4-3 IEC 61000-4-3	A
Rated power frequency Magnetic field	30 A/m	EN 61000-4-8 IEC 61000-4-8	A
Burst	2 kV (5/50 NS, 5 kHz)	EN 61000-4-4 IEC 61000-4-4	B
Surge	1 kV Line to line 2 kV Line to line	EN 61000-4-5 IEC61000-4-5	B
Conducted RF	3 V (150 kHz to 80 MHz)	EN 61000-4-6 IEC61000-4-6	A

Performance criteria :

A : During testing, normal performance within the specification limits.

B : During testing, temporary degradation or loss of function or performance which is self-recovering.

OUTLINE DIAGRAM (Unit:mm)



Details of "A"

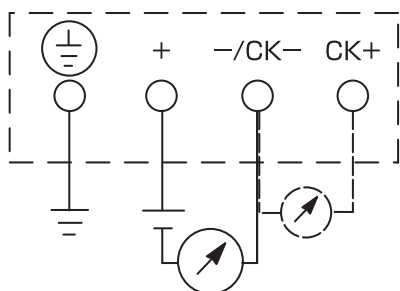
Details of "B"

4th digit of the code symbols	Conduit conn.		Press. conn.	Oval frange screw
	D	E	G	
R	M20x1.5	16	1/4-18 NPT	7/16-20 UNF
T	1/2-14 NPT	16	1/4-18 NPT	7/16-20 UNF
V	Pg13.5	10,5	1/4-18 NPT	M10 or M12
W	M20x1.5	16	1/4-18 NPT	M10 or M12
X	Pg13.5	10,5	1/4-18 NPT	7/16-20 UNF

TABLE 1

NOTE1) IN CASE OF 10TH CODE "C", ø11 CABLE IS SUITBLE.
NOTE2) WHEN THE 7TH DIGIT OF THE CODE SYMBOLS "H,M,T"

CONNECTION DIAGRAM



 Fuji Electric

Fuji Electric France S.A.S.

46 rue Georges Besse - ZI du brézet - 63039 Clermont ferrand

Tél : 04 73 98 26 98 - Fax : 04 73 98 26 99

Mail : sales.dpt@fujielectric.fr - web : www.fujielectric.fr

Fuji Electric can accept no responsibility for possible errors in catalogues, brochures and other printed material. Fuji Electric reserves the right to alter its products without notice. This also applies to products already on order provided that such alterations can be made without subsequential changes being necessary in specifications already agreed. All trademarks in this material are property of the respective companies. All rights reserved.
